

WESTERN AVIONICS

**MIL-STD-1553B ISA
INTELLIGENT INTERFACE BOARD**

P/N 1U10971G01 Rev A

**User Manual
UM 10971 Rev B**

**© Western Avionics Ltd.
13/14 Shannon Free Zone
Co. Clare
Ireland**

2 July 2002

Table of Contents

1	GENERAL INFORMATION	7
1.1	INTRODUCTION	7
1.2	MANUAL DESCRIPTION	7
1.3	CAPABILITIES	7
1.3.1	<i>General</i>	7
1.3.2	<i>Bus Controller (BC) Features (With MRT Simulation and Data Monitoring)</i>	8
1.3.3	<i>Multiple Remote Terminal (MRT) Features</i>	8
1.3.4	<i>Chronological Bus Monitor (CM) Features</i>	8
1.4	THE IIB-1553-ISA ARCHITECTURE.....	9
1.5	PROTOCOL MANAGEMENT UNIT	9
1.6	1553B INTERFACE	9
1.7	FEATURES	10
1.8	SYSTEM CHARACTERISTICS AND SPECIFICATIONS.....	10
1.9	LIST OF FURNISHED ITEMS.....	11
1.10	LIST OF RELATED PUBLICATIONS	11
1.11	STORAGE DATA	11
1.12	TOOLS AND TEST EQUIPMENT.....	11
1.13	SAFETY PRECAUTIONS	11
1.14	COMPONENT IDENTIFICATION INFORMATION	12
2	INSTALLATION AND PREPARATION FOR USE.....	13
2.1	GENERAL	13
2.2	INSTALLATION OF THE IIB-1553-ISA.....	13
2.3	TURN ON.....	13
2.4	RESET	13
2.5	SPECIFIC FEATURES.....	14
2.5.1	<i>Control Register Features</i>	14
2.5.2	<i>Counter Features</i>	14
2.5.3	<i>Trigger-In Features</i>	14
2.5.4	<i>Trigger Out Features</i>	14
2.6	ISA INTERFACE	15
2.6.1	<i>Introduction</i>	15
2.6.2	<i>Electrical Characteristics</i>	15
2.6.3	<i>Capabilities</i>	15
2.7	1553B INTERFACE	15
2.7.1	<i>Introduction</i>	15
2.7.2	<i>Electrical Characteristics</i>	15
2.8	PINOUTS.....	15
2.9	CONFIGURATION OPTIONS	16
2.9.1	<i>I/O ports</i>	16
2.9.2	<i>Interrupt selection</i>	16
2.9.3	<i>Programming pins</i>	16

3	OPERATION	17
3.1	INTRODUCTION	17
3.2	CONVENTIONS	17
3.3	ORGANISATION DIAGRAM.....	17
3.4	PC I/O PORT REGISTERS (16 BIT ACCESS ONLY)	17
3.4.1	<i>SIZE_SEG Register (Write Only) - Port Base Address +4</i>	18
3.4.2	<i>ADDR_POSN Register (Write Only) - Port Base Address +2</i>	18
3.4.3	<i>Control Register (Write Only) - Port Base Address +0</i>	19
3.4.4	<i>Clock HI Word and Clock LO Word Registers - Port Base Address +2 and +4</i>	20
3.4.5	<i>IRQ Register (Read/Write) - Port Base Address +6</i>	20
3.4.6	<i>Base Register Names and Locations</i>	22
3.4.7	<i>Base Register Descriptions</i>	23
3.4.7.1	Command Register (CR) (04H).....	23
3.4.7.2	Status Register (SR) (06H).....	24
3.4.7.3	Background Running Pointer (BRP) (08H).....	25
3.4.7.4	Insertion Running Pointer (IRP) (0AH)	27
3.4.7.5	Reserved (0CH).....	27
3.4.7.6	LPIQAP (0EH) Low priority interrupt queue start address.	27
3.4.7.7	Reserved (10H).....	27
3.4.7.8	HPIQAP (12H) High priority interrupt queue start address.	27
3.4.7.9	Reserved (14H).....	27
3.4.7.10	MIQAP (16H) Message interrupt queue start address.....	27
3.4.7.11	Reserved (18H)	27
3.4.7.12	SRQAP (1AH) Status report queue start address.	27
3.4.7.13	Reserved (1CH)	27
3.4.7.14	RTSTAD (1EH) RT simulation table start address.	27
3.4.7.15	Reserved (20H)	27
3.4.7.16	Reserved (22H)	27
3.4.7.17	Toggle Buffer Address Offset (24H).....	28
3.4.7.18	Set of Messages Start Address (26H).....	28
3.4.7.19	Global RT Response Time Register (28H).....	28
3.4.7.20	RT No Response Time-Out Register (2AH)	28
3.4.7.21	IRQ Selection Register (34H)	29
3.4.7.22	Test and Set Register and SRQADP (3CH)	29
3.4.7.23	Reserved (46H)	30
3.4.7.24	PRI/SEC 1553B RT TX Inhibit HI-LO (48H – 4EH).....	30
3.5	REMOTE TERMINAL SIMULATION TABLE	31
3.5.1	<i>Simulation Type Word</i>	31
3.5.2	<i>Status Word</i>	32
3.5.3	<i>1553B Last Command Word</i>	32
3.5.4	<i>1553B Bit Word</i>	32

4	BUS CONTROLLER MODE OF OPERATION.....	33
4.1	INTRODUCTION	33
4.2	MESSAGE DESCRIPTOR BLOCK (MDB).....	34
4.2.1	<i>Message Number (00H)</i>	34
4.2.2	<i>1553B Event Mask (02H)</i>	34
4.2.3	<i>Message Type Word (04H)</i>	35
4.2.4	<i>1553B Message Error Phase Definition (06H)</i>	36
4.2.5	<i>1553B Message Error Description Word (08H)</i>	36
4.2.6	<i>Address in Look-Up Table (0AH)</i>	37
4.2.7	<i>Command Word 1 (0CH)</i>	37
4.2.8	<i>Command Word 2 (0EH)</i>	37
4.2.9	<i>Retry Subroutine Absolute Address (14H)</i>	37
4.2.10	<i>Inter-message Gap Time (18H)</i>	38
4.2.11	<i>Status Word 1 (1CH)</i>	38
4.2.12	<i>Status Word 2 (1EH)</i>	38
4.3	DATA BUFFERS SIMULATION AND MONITORING.....	39
4.3.1	<i>Look-Up-Table</i>	40
4.3.2	<i>Data Descriptor Block</i>	40
4.3.2.1	Option Mask (00H)	41
4.3.2.2	Data Status Report (06H)	41
4.3.2.3	Toggle Frequency and Buffer Address HI (08H)	41
4.3.2.4	Link Pointer to New DDB (0CH).....	42
4.3.2.5	Address of Modify Word/Value to Write (0EH-10H)	42
4.3.2.6	Extended Sub-Address	43
4.3.3	<i>Data Buffers</i>	43
4.4	MODE COMMANDS.....	44
4.5	INTERRUPT REQUESTS.....	45
4.5.1	<i>Interrupt Coding</i>	45
4.5.2	<i>Set Message Interrupts</i>	45
4.5.3	<i>Message Status Report Queue</i>	46
5	MULTIPLE REMOTE TERMINAL MODE OF OPERATION.....	47
5.1	INTRODUCTION	47
5.2	LOOK-UP-TABLES.....	48
5.3	MODE COMMANDS SPECIFICATIONS	48
5.4	DATA WORDS STORAGE.....	48
5.5	1553B ERROR INJECTION DEFINITION.....	48
5.5.1	<i>Global RT Error Description Word (RT Simulation Table)</i>	49
5.5.2	<i>Message Error Injection Word (Look-up-Table)</i>	50
5.6	INTERRUPTS CODING	51
5.6.1	<i>Low and High Priority Interrupts (two word code)</i>	51
5.6.2	<i>Message Interrupts (or set of messages interrupt)</i>	51
5.6.3	<i>Status Report Queue (two words per report)</i>	51
5.7	SPECIFIC FUNCTIONS	51
5.7.1	<i>Data Message Reception</i>	51
5.7.2	<i>Reception of Mode Commands Data Words</i>	51
5.7.3	<i>Mode Command "Synchronise with Data Word"</i>	52
5.7.4	<i>Frequency Toggle</i>	52

6	CHRONOLOGICAL BUS MONITOR MODE OF OPERATION	53
6.1	INTRODUCTION	53
6.2	BASE REGISTERS	53
6.2.1	Control Register (Write) (00H)	54
6.2.2	Command Register (CR)	54
6.2.3	Status Register (SR).....	55
6.2.4	IRQ Selection Register (34H).....	55
6.2.5	Load Clock HI/LO Registers (+38H1 / +3AH).....	56
6.2.6	Current Address Register (CAR) (+42H).....	56
6.2.7	Trigger Occurrence Register (TOR) (+44H)	56
6.2.8	Trigger Set-up Pointer (TSP) (+46H).....	56
6.2.8.1	Trigger Set-up Data	56
6.3	DETAILED TRIGGER DESCRIPTION	57
6.4	STACK DATA FORMAT	67
6.4.1	Previous Address Pointer.....	67
6.4.2	Time Stamp HI/LO	67
6.4.3	Data.....	67
6.4.4	Next Address Pointer.....	68
6.4.5	RT Response Time 1/2.....	68
6.4.6	Flow Diagram.....	68

List of Figures

Figure 1-1	IIB-1553-ISA Functional Block Diagram.....	9
Figure 1-2	IIB-1553-ISA Parts Locations.....	12
Figure 3-1	Organisation Diagram.....	21
Figure 3-2	Remote Terminal Simulation Table.....	31
Figure 4-1	Bus Controller Organisation Diagram.....	33
Figure 4-2	Data Buffers Simulation and Monitoring.....	39
Figure 5-1	Multiple Remote Terminal Organisation Diagram.....	47

List of Tables

Table 2-1	Trig-In / Trig-Out Connectors Pinouts (J3).....	15
Table 2-2	IRQ Interrupt connections.....	16
Table 3-1	Base Register Names and Locations.....	22
Table 3-2	Command Register (CR).....	23
Table 3-3	Status Register.....	24
Table 4-1	Message Descriptor Block.....	34
Table 4-2	Data Descriptor Block.....	40
Table 4-3	Data Buffers.....	44
Table 6-1	Base Registers.....	53
Table 6-2	Command Registers.....	54
Table 6-3	Status Registers.....	55
Table 6-4	Stack Data Format.....	67

1 GENERAL INFORMATION

1.1 INTRODUCTION

The Western Avionics IIB-1553-ISA Intelligent Interface Board is a standard ISA card designed to meet the requirements of MIL-STD-1553B and STANAG 3838. The Western Avionics IIB-1553-ISA provides a powerful and intelligent interface between a ISA based host equipment and the 1553B data bus. Bus Controller and Multi-Remote Terminal functions can operate both independently or simultaneously. An additional independent Chronological Bus Monitor function is provided. The Western Avionics IIB-1553-ISA provides complete and comprehensive test and simulation functions for all applications in MIL-STD-1553B systems.

1.2 MANUAL DESCRIPTION

The following paragraphs provide a general description of the manual layout and content:

- **Section 1** **General Information** - contains a brief description of the manual, and a general description of the Western Avionics IIB-1553-ISA. This section also contains the architecture, protocol management, MIL-STD-1553B interface information, instrument specifications, information concerning accessories, furnished items and also safety precautions.
- **Section 2** **Installation and Preparation for Use** - contains instructions on installation, preparation for use, self-test and reset of the Western Avionics IIB-1553-ISA card.
- **Section 3** **Operation** - contains a functional description of the Western Avionics IIB-1553-ISA and operating procedures necessary to run the card.
- **Section 4** **Bus Controller Mode of Operation** - contains information on the mode of operation for the Bus Controller function of the Western Avionics IIB-1553-ISA card.
- **Section 5** **Multiple Remote Terminal Mode of Operation** - contains information on the mode of operation for the Multiple Remote Terminal function of the Western Avionics IIB-1553-ISA card.
- **Section 6** **Chronological Bus Monitor Mode of Operation** - contains information on the mode of operation for the Chronological Bus Monitor function of the Western Avionics IIB-1553-ISA card.

1.3 CAPABILITIES

The Western Avionics IIB-1553-ISA provides the following capabilities and functions:

1.3.1 General

- Memory mapped real-time universal ISA interface.
- 2MByte of RAM.
- Up to four Interrupts
- 1553B data protocol managed by a micro-controller providing flexibility and extensibility.
- Comprehensive Error Injection.
- External Triggers.
- Internal Self-tests.
- Standard single ISA card format.

1.3.2 Bus Controller (BC) Features (With MRT Simulation and Data Monitoring)

- Bus Control:
 - Autonomous frame control using comprehensive set of instructions and message descriptor blocks.
 - Acyclic message insertion.
 - Error injection.
 - Frame frequency selection.
 - Inter-message gap selection.
 - Response time-out selection.
 - Bus events detection, mask, storage, and reporting (bus errors, status word bits).
- Simultaneous MRT Simulation (up to 31).
- Data Words Transfers:
 - Data buffer simulation for the BC and the simulated RT's.
 - Sub-address based data buffer access with data descriptor blocks defining each bus message;
 - Multi-buffering (linked buffers or frequency-toggled buffers).
 - Interrupt queues.
 - Data status report.
 - Data buffer time tagging (32 bits time tag).
- Simultaneous monitoring of all data buffers.

1.3.3 Multiple Remote Terminal (MRT) Features

- Simulation:
 - Up to 31 1553B - RT simulations.
 - Mode and Broadcast commands handling.
 - Comprehensive Error Injection.
- Data Words Transfers:
 - Data buffer simulation for simulated RTs.
 - Sub-address based data buffer access offering the same powerful data buffering as in the bus controller mode.
 - All non-transmitted data messages are monitored.

1.3.4 Chronological Bus Monitor (CM) Features

- Capture of all bus activity in chronological stack, with time tagging of each message.
- Comprehensive multi-trigger facilities allowing selective capture and interrupts to be performed on complex data sequence.
- Cyclical stack up to 2Mbyte, with interrupt on completion of capture.
- All 1553B errors detected.

1.4 The IIB-1553-ISA ARCHITECTURE

The Western Avionics IIB-1553-ISA board is a memory mapped ISA MIL-STD-1553B interface with high performance architecture and complex features. Plugged into a PC the IIB-1553-ISA card provides enhanced test and simulation functions for all modes of operation of a MIL-STD-1553B bus. The host equipment, using the on-board RAM, defines all configuration and data structures.

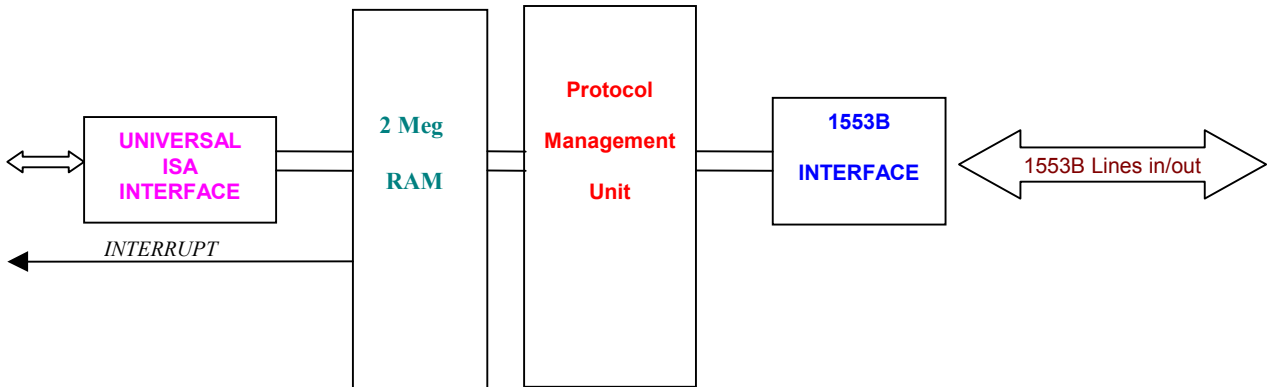


Figure 1-1 IIB-1553-ISA Functional Block Diagram

1.5 PROTOCOL MANAGEMENT UNIT

A micro-controller based structure running at 40Mhz handles the management of the 1553B protocol for each of the operating modes (BC, MRT, BM). The micro-controller works each of the 1553B command, status and data words functions of its operating mode and the configuration tables in RAM. The micro-controller management unit allows flexibility and expandability for the bus control tasks and user interface.

1.6 1553B INTERFACE

The 1553B interface is a dual redundant interface, which includes a standard dual redundant transceiver and a Manchester encoder/decoder with full error detection and error injection capabilities, which include:

- Manchester bit error
- Synch bit error
- Parity error
- Word length error
- Wrong bus error
- Both bus error
- Response time error

1.7 FEATURES

The features of the Western Avionics IIB-1553-ISA are listed as follows:

- ISA Interface. Segment size and memory map position fully programmable.
- Memory mapped real-time ISA interface.
- 2MByte of RAM.
- Multiple interrupt queues for various events.
- 1553B data protocol managed by a micro-controller providing complete flexibility and extension capability.
- Error Injection and detection.
- External Triggers.
- Internal Self-tests.

1.8 SYSTEM CHARACTERISTICS AND SPECIFICATIONS

The characteristics and specifications of the Western Avionics IIB-1553-ISA are listed as follows:

- Size: 190 mm by 102 mm
- Power: +5Vdc @ 900 mAmps
+12Vdc @ 50mAmps
-12Vdc @ 160mAmps
- Temperature:
 - Operating: 0°C to +50°C
 - Non-operating: -20°C to +70°C
- MTBF (MIL 217F):
 - 124,896 Hrs (Ground Benign @ 25°C)
- **Front Panel Connectors:**
 - Trig-In/Trig-Out: [J3, 9 Pin sub-miniature D type, M2408/23-31]
 - Two tri-axial: [J1, 1553B Primary triaxial, type CBBJR79]
[J2, 1553B Secondary triaxial, type CBBJR79]

1.9 LIST OF FURNISHED ITEMS

The following is a list of furnished items:

1. Bus Analyser/Simulator, Model IIB-1553-ISA
2. Users Manual UM 10971 (This document)

1.10 LIST OF RELATED PUBLICATIONS

The following is a list of related publications:

1. MIL-STD-1553
2. ISA LOCAL BUS specification

1.11 STORAGE DATA

As the PC card contains electrostatic sensitive devices (ESD's), special storage and handling is required. Do not store near electrostatic, electromagnetic, magnetic or radiation fields.

1.12 TOOLS AND TEST EQUIPMENT

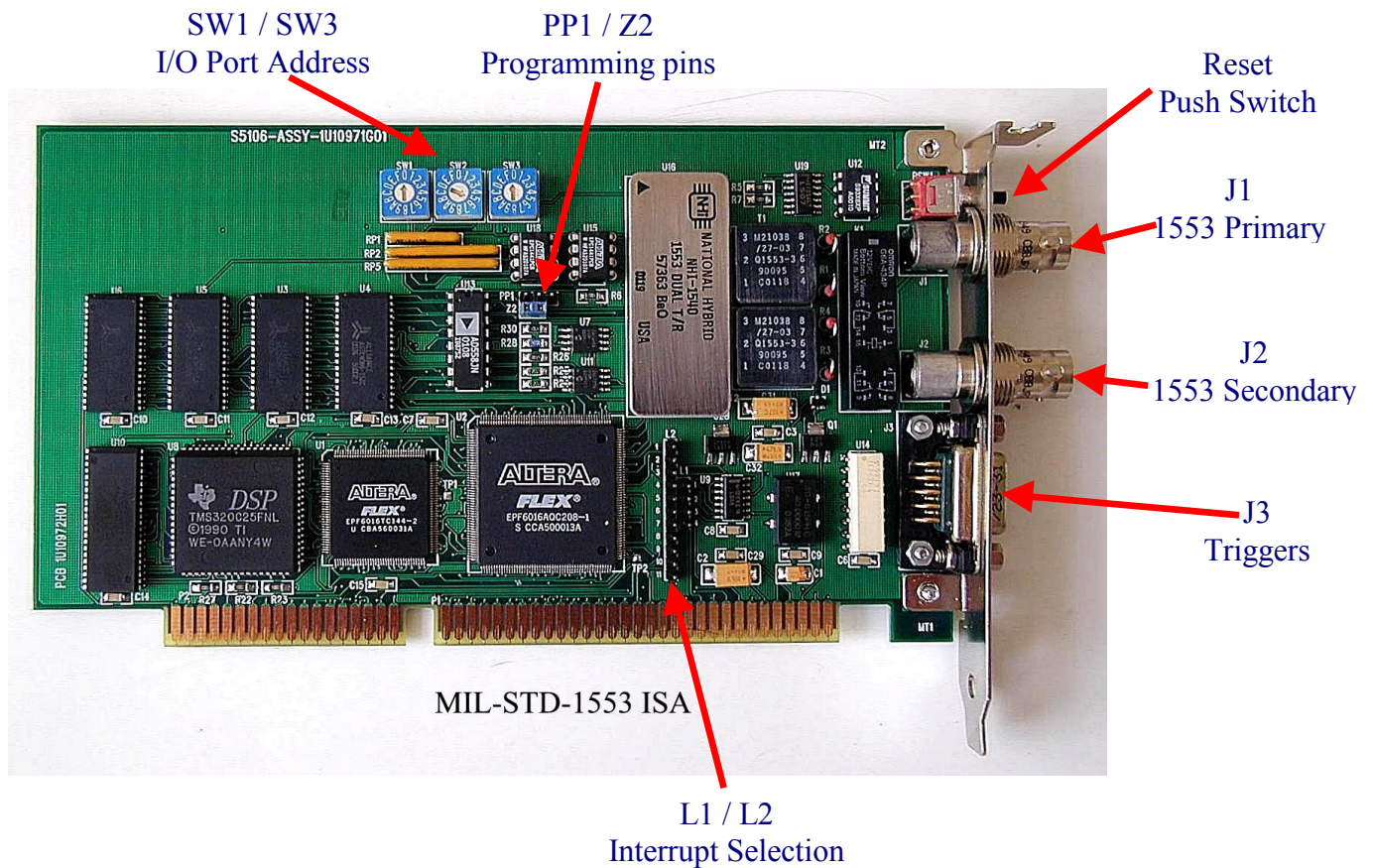
No special tools or test equipment is required to test the Western Avionics IIB-1553-ISA

1.13 SAFETY PRECAUTIONS

WARNING

Potentially hazardous voltages exist on the host computer power supply.
Do not attempt to install or remove the Western Avionics IIB-1553-ISA without first removing main power. Improper handling can cause injury or death.

Figure 1-2 IIB-1553-ISA Parts Locations



1.14 COMPONENT IDENTIFICATION INFORMATION

- **Address switches SW1, SW2, SW3** for I/O port selection, see 2.9.1 for details of set-ups.
- **J1 Primary 1553 bus connector**, triaxial, type CBBJR79; see 2.8 for connector wiring details
- **J2 Secondary 1553 bus connector**, triaxial, type CBBJR79; see 2.8 for connector wiring details
- **J3 I/O Connector**, 9 Pin sub-miniature D type, M2408/23-31; see Table 2-1 for detailed wiring information
- **Reset Push button switch**, for hard re-set of PC card
- **L1 and L2 Interrupt Selection** headers, see 2.9.2 for wiring selection information
- **PP1 and Z2 Programming pins**, see 2.9.3 for details of configuration and usage

2 INSTALLATION AND PREPARATION FOR USE

2.1 GENERAL

On delivery, inspect the unit for possible damage. If it is damaged, notify the shipping company, and contact your distributor, or the Western Avionics, for details of return procedure. When unpacking remove all protective covering and store covering and packing container, as unit may need to be reshipped at a later date.

CAUTION

*The IIB-1553-ISA card contains Electrostatic Sensitive Devices (ESD's).
Observe ESD handling requirements, and do not ship or store near
electro-static, electromagnetic, magnetic or radioactive fields.*

2.2 INSTALLATION OF THE IIB-1553-ISA

Prior to installing the Western Avionics IIB-1553-ISA, ensure that all power has been removed from the host computer.

2.3 TURN ON

Set mains power on host computer to ON. The Western Avionics IIB-1553-ISA will perform system self-test on the BC, MRT and CM lasting approximately four seconds.

2.4 RESET

The Western Avionics IIB-1553-ISA hardware and firmware are reset as follows:

Hardware Reset:

- Signal SYSRESET* from the PC bus.
- Power-up and power-down.
- On-board push button.
- Bit location in control register accessible by the PC interface. (HW_RES).

Firmware Reset:

- A hardware reset described above.
- Bit location in control register accessible by the PC interface. (SW-RES).

2.5 SPECIFIC FEATURES

2.5.1 Control Register Features

This is a 16-bit write only register accessible from the PC bus.

This register is available via an I/O port. The features are as follows:

- Hardware reset
- Firmware reset
- Three prioritised interrupts to the local on-board processor for indication and control
- Acknowledge Interrupt
- Enable and disable local clock

2.5.2 Counter Features

This 32-bit counter is a free running counter with a 10 μ s LSB and is available as two I/O ports on the PC bus. The counter is read in two 16-bit I/O port accesses. The counter can also be enabled or disabled by a bit from the Control Register. The counter can be updated and used by the on-board processor as follows-

- **Used:** data buffers time tagging
frame cycles control
- **Updated:** user request
3838 command

2.5.3 Trigger-In Features

Trigger-In enters the board logic through the front panel connector and then an opto-coupler. So, if the diode is powered there is a zero logic level, and if the diode is not powered there is a high logic level. So, a rising edge on this logic level can be used for hardware starts of the frame, hardware starts of the minor cycle, or external trigger for the bus monitor.

2.5.4 Trigger Out Features

Trigger-Out is in fact a bit in a register accessible by the on-board processor to indicate to the external world that an event has been detected. This event can be as follows:

- Beginning of the major and/or minor frames
- Beginning of a message
- Bus Monitor trigger detected

Trigger-Out exits the board through an opto-coupler and a nine-way socket connector J3 on the front panel.

2.6 ISA INTERFACE

2.6.1 Introduction

The 1553 interface on the IIB-1553-ISA-card meets requirements of STANAG 3838 and MIL-STD-1553.

2.6.2 Electrical Characteristics

- +5V and +12V.
- All driving and loading rules are respected.

2.6.3 Capabilities

The Western Avionics IIB-1553-ISA board is used as a 2Mbyte field.

- R/W Static RAM (2Mbyte).
- Read only 32-bit counter (one 32-bit access)
- Write only 16-bit register (one 16-bit access).

2.7 1553B INTERFACE

2.7.1 Introduction

The 1553B interface matches the MIL-STD-1553B Standard.

2.7.2 Electrical Characteristics

The 1553B interface provides one dual redundant bus.

- Primary bus.
- Secondary bus.

The 1553B interface can be programmed to be:

- Transformer coupled.
- Direct coupled.

2.8 PINOUTS

J1 and J2 (1553 Primary and 1553 Secondary) are wired with positive going signal on inner conductor, and negative going signal on outer, with ground on connector body. J3 is wired as below:

Table 2-1 Trig-In / Trig-Out Connectors Pinouts (J3)

PIN NUMBER	DESCRIPTION
1	1553 Primary positive
2	1553 Secondary positive
3	Trig Out, Opto-coupler Collector
4	Trig In, Opto-coupler Cathode
5	Ground
6	1553 Primary negative
7	1553 Secondary negative
8	Trig Out, Opto-coupler Emitter
9	Trig In, Opto-coupler Anode

2.9 CONFIGURATION OPTIONS

2.9.1 I/O ports

Three hexadecimal switches are used to set the base address for the I/O ports as follows:

I/O register select decoding A00-----A03	SW3 A04-A07	SW2 A08-A11	SW1 A12-A15
---	-----------------------	-----------------------	-----------------------

2.9.2 Interrupt selection

Two wire-wrap strips J3 and J2 are provided to allow the user to connect any 1553-ISA Card interrupt event (IRQ A - D) to cause the PC bus physical interrupt.

J3	
* IRQ 3	
* IRQ 4	
* IRQ 5	
* IRQ 6	J2
* IRQ 7	IRQ A *
* IRQ 9	IRQ B *
* IRQ 10	IRQ C *
* IRQ 11	IRQ D *
* IRQ 12	
* IRQ 14	
* IRQ 15	

Table 2-2 IRQ Interrupt connections

2.9.3 Programming pins.

PP1 is a 3 way header that is used for 'first-time' programming in the manufacturing process, and should never be used in the normal operating mode.

Z2 is a two pin header, provided as a security programming feature, which will only be used when factory released firmware upgrades are to be applied. A shorting link is normally fitted in this location, and should be left in this configuration, unless firmware up-grades are being applied.

3 OPERATION

3.1 INTRODUCTION

The Western Avionics IIB-1553-ISA Intelligent Interface Board provides Bus Controller (BC), Multi-Remote Terminal (MRT), functions, which may be run either independently or simultaneously. An independent Chronological Bus Monitor (CM) is also provided. In order to run any of these functions, information must be loaded into specific fixed register locations (Base Registers). Some of these registers contain pointers to other areas of memory/registers. The selection of these pointers is left up to the discretion of the user. Therefore, memory blocks can be positioned in the on-board memory to suit user requirements. This set-up means that fixed position registers are minimal.

3.2 CONVENTIONS

1. BASE = Base Address of 2Mbyte on board RAM.
2. The memory range BASE+10000H to End of Memory is reserved for the 1553 data blocks. All other data must reside in the first 64Kbytes.

After a Power-On:

- On-board processor doing its power-on initialisation,
 - Then executing Self-Test.
 - Then waiting for a user command.
- DSI per default (insertion program is disabled)

3.3 ORGANISATION DIAGRAM

The organisation diagram figure 3-1 shows how the functional areas of the Western Avionics IIB-1553-ISA board can be controlled.

3.4 PC I/O PORT REGISTERS (16 Bit Access Only)

To allow flexibility of addressing via the PC bus, the 1553-ISA-Card has a set of I/O ports allocated to it for configuration purposes. The start address of these ports is defined by the setting of switches SW1, SW2 and SW3.

The first two registers (SIZE_SEG and ADRS_POSN) are used for configuring the 1553-ISA-Card for segment size and memory allocation in the PC memory map. These registers allow the on-board 2Mbyte of memory to appear as a number of segments at a programmable location. The size and location of this segment is programmable from 8Kbytes up to 2Mbytes (linear memory). The operation of these registers is as follows:

3.4.1 SIZE_SEG Register (Write Only) - Port Base Address +4

D15	D14	D13	D12	D11	D10	D09	D08	D07	D06	D05	D04	D03	D02	D01	D00
S7	S6	S5	S4	S3	S2	S1	S0	P7	P6	P5	P4	P3	P2	P1	P0

S7 - S0 Selects the size of the segment that will appear in the PC memory map.

S7	S6	S5	S4	S3	S2	S1	S0	
0	0	0	0	0	0	0	0	8 Kbytes
0	0	0	0	0	0	0	1	16 Kbytes
0	0	0	0	0	0	1	1	32 Kbytes
0	0	0	0	0	1	1	1	64 Kbytes
0	0	0	0	1	1	1	1	128 Kbytes
0	0	0	1	1	1	1	1	256 Kbytes
0	0	1	1	1	1	1	1	512 Kbytes
0	1	1	1	1	1	1	1	1 Mbytes
1	1	1	1	1	1	1	1	2 Mbytes

P7 - P0 Defines the start address of the segment in the 2 Mbytes of memory. This is defined in 8 Kbyte segments. If the segment size is greater than 8 Kbytes, this value must be on an even segment boundary. For example, if the segment size is 32 Kbytes the value of P0 and P1 will be forced to zero.

P7	P6	P5	P4	P3	P2	P1	P0	
0	0	0	0	0	0	0	0	000000 - 001FFF
0	0	0	0	0	0	0	1	002000 - 003FFF
0	0	0	0	0	0	1	1	004000 - 007FFF
:	:	:	:	:	:	:	:	
1	1	1	1	1	1	1	1	1FE000 - 1FFFFFF

Example: SIZE_SEG Register = 01F0

Size of segment is 16 Kbytes.

Start Address of enabled segment is 1E0000.

End Address of enabled segment is 1E3FFF.

3.4.2 ADDR_POSN Register (Write Only) - Port Base Address +2

D15	D14	D13	D12	D11	D10	D09	D08	D07	D06	D05	D04	D03	D02	D01	D00
NU	NU	M16	ME	A23	A22	A21	A20	NU	L6	L5	L4	L3	L2	L1	L0

M16 Certain positions in PC memory are fixed as eight bit access areas. To enable these areas to be used by the 1553-ISA-Card, the access mode is made programmable.

M16 = 0: Access to 2 Mbytes memory done as 16-bit access.

M16 = 1 Access to 2 Mbytes memory done as 8-bit access.

ME This signal (memory enable) can be used at any time to enable or disable the 1553-ISA-Card onto the PC bus. It is advisable to disable the memory with this bit until the memory access configuration has been set up.

ME = 0: Memory disabled (default state at power-up.)
 ME = 1: Memory enabled.

A23 - A20 These bits define the 1 Mbyte range of the 16 Mbyte PC memory map where the 1553-ISA-Card segment is to be addressed.

NOTE: If the size register defines a linear 2 Mbyte map (size = FF) A20 will be 'don't care' and A23 - A21 will define where the 2 Mbyte linear memory will reside in the PC 16 Mbyte map.

L6 - L0 These bits define the position of the segment within the 1 Mbyte section of the PC memory map. This is defined in 8 Kbyte segments. If the segment size is greater than 8 Kbytes this value must be on an even segment boundary. For example, if the segment size is 32 Kbytes, the value of L0 and L1 will be forced to zero.

Example: SIZE_SEG = 0330H, ADDR_POSN = 1208H

Size of segment = 32 Kbytes
 Segment start address in 1553-ISA 2 Mbyte memory = 060000H
 Segment end address in 1553-ISA 2 Mbyte memory = 067FFFH
 Segment start address in PC memory = 210000H
 Segment end address in PC memory = 217FFFH

NOTE: The value for the ADDR_POSN register will usually be fixed for a particular application. Once the area of memory to be used in the PC memory map has been chosen, it should not be necessary to change it. The value of the SIZE_SEG register will tend to be changed quite frequently as different parts of the 1553-ISA 2 Mbyte memory is required to be accessed.

3.4.3 Control Register (Write Only) - Port Base Address +0

This register controls the 1553-ISA-Card in its operation as a 1553 interface card.

D15	D14	D13	D12	D11	D10	D09	D08	D07	D06	D05	D04	D03	D02	D01	D00
0	0	0	0	0	0	HR	FR	CE	0	0	0	0	0	C1	C0

C0 Clear = Command Request
C1 Clear = Insertion Request
CE Set = 32 bit Clock Enabled
FR Clear = Firmware Reset
HR Clear = Hardware Reset

Example: 0382H generates a Command Request whilst keeping **FR** and **HR** set, and enabling the Clock

3.4.4 Clock HI Word and Clock LO Word Registers - Port Base Address +2 and +4

This register controls the 1553-ISA-Card in its operation as a 1553 interface card.

Local Clock Reading CK (HI-LO)

- To read the local clock first read Clock HI, then Clock LO.

Update clock by the User:

- Write the new value in register (LOAD clock HI and LO)
- Write the LOAD CLOCK command 000CH in the command register
- Write C0=0 and CE=1 in the control register port
- After executing the command, the on-board processor will set C0 to 1

Synchronise Clock

- If the above procedure is carried out using the synchronise clock command 0010H the contents of the LOAD clock HI and LO registers will be added as a signed offset to the current local clock.

3.4.5 IRQ Register (Read/Write) - Port Base Address +6

This register controls the 1553-ISA-Card in its operation as a 1553 interface card.

D15	D14	D13	D12	D11	D10	D09	D08	D07	D06	D05	D04	D03	D02	D01	D00
NU	NU	NU	NU	NU	NU	NU	NU	NU	NU	NU	TP	IRQD	IRQC	IRQB	IRQA

- TP = 0 IRQs are *edge sensitive* (LO-HI)
- TP = 1 IRQs are *level sensitive* (ACTIVE LO)

IRQA-D These bits are set active by the on-board processor due to HI, LO, MSG or CYCLING IRQs. They are cleared by writing a zero to the relevant bit. In '*edge sensitive*' mode (Tp = 0) and active IRQ bit is indicated by a one. In '*level sensitive*' mode (Tp = 1) an active IRQ bit is indicated by a zero.

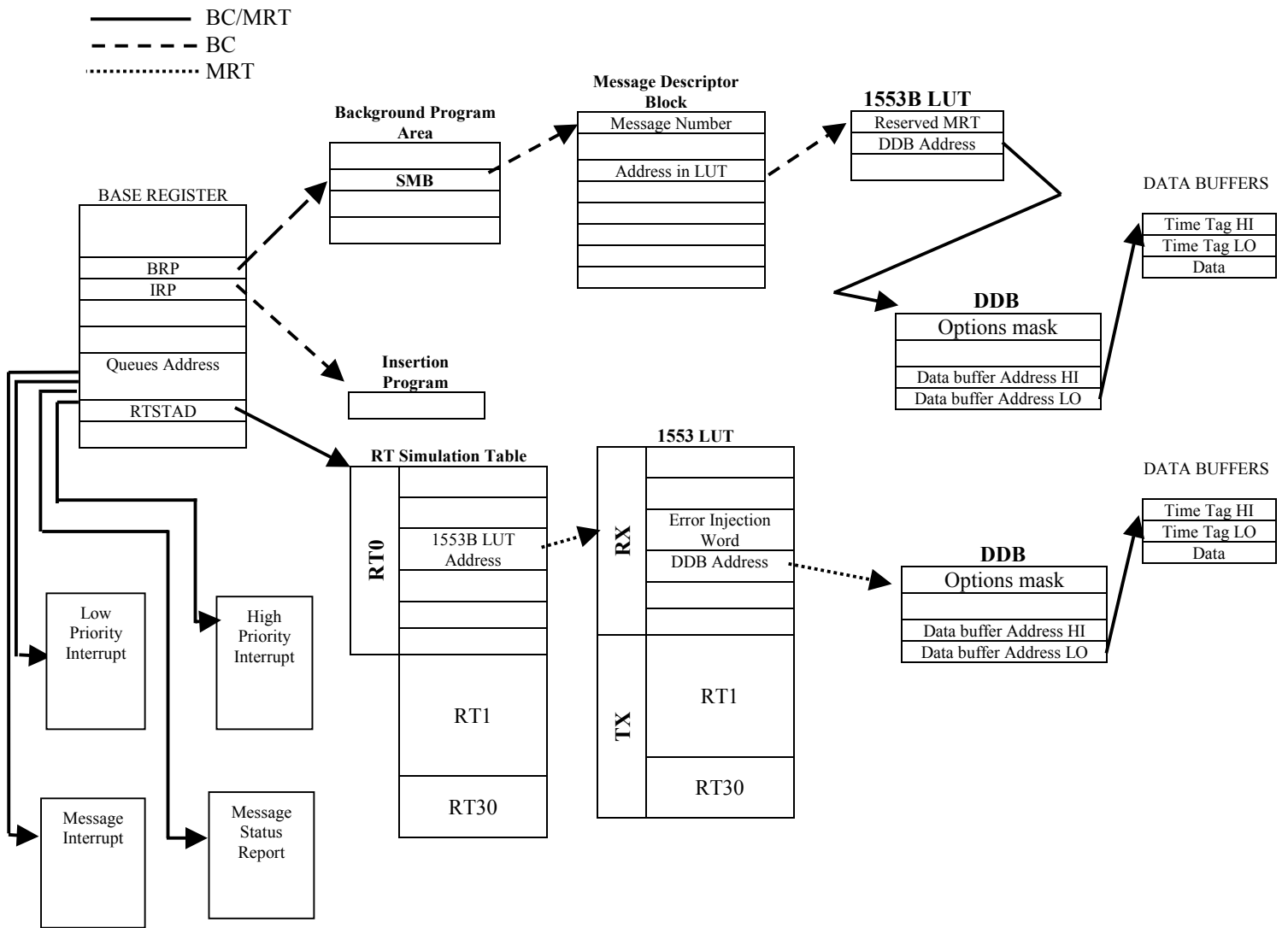


Figure 3-1 Organisation Diagram

3.4.6 Base Register Names and Locations

The names and locations of the Base Registers are contained in table 3-1.

Table 3-1 Base Register Names and Locations

BASE	Not Used
+02H	Not Used
+04H	Command Register (CR)
+06H	Status Register (SR)
+08H	Background Running Pointer (BRP) Address of Program
+0AH	Insertion Running Pointer (IRP) Address of Program
+0CH	Reserved
+0EH	Low Priority Interrupt Queue Start Address Pointer
+10H	Reserved
+12H	High Priority Interrupt Queue Start Address Pointer
+14H	Reserved
+16H	Message Interrupt Queue Start Address Pointer
+18H	Reserved
+1AH	Status Report Queue Start Address Pointer
+1CH	Reserved
+1EH	RT Simulation Table Address Register (RTSTAD)
+20H	Amplitude Register
+22H	Coupling Register
+24H	Toggle Buffer Address Offset (MSB=1 Global Enable)
+26H	SET OF MESSAGES Start Address
+28H	Global RT Response Time Register (μ s)
+2AH	RT No Response Timeout Register (μ s)
+2CH	Reserved
+2EH	Reserved
+30H	Reserved
+32H	Reserved
+34H	IRQ Selection Register
+36H	Minor Frame Counter Register
+38H	Load Clock HI Register
+3AH	Load Clock LO Register
+3CH	Test and Set register (TASR)
+3EH	Service Request Queue Address Pointer (SRQADSP)
+40H	Cycling Interrupt Update Register
+42H	Monitor Current Address Register (CAR)
+44H	Monitor Trigger Occurrence Register (TOR)
+46H	Monitor Trigger Set-up Pointer (TSP)
+48H	PRI Bus 1553B RT TX inhibit bits HI
+4AH	PRI Bus 1553B RT TX inhibit bits LO
+4CH	SEC Bus 1553B RT TX inhibit bits HI
+4EH	SEC Bus 1553B RT TX inhibit bits LO
+50H	Reserved
+52H	Reserved
+54H	Reserved
+56H	Reserved

3.4.7 Base Register Descriptions

The Base Register functions are defined in the following paragraphs.

3.4.7.1 Command Register (CR) (04H)

Prior to clearing the command request bit (CO) in the control register, the user must first test that the command register is clear. When the command register is clear the user can insert the next command to be executed. After the command is loaded, bit CO in the control register can be cleared. When the command register clears, the board is ready for a new command. Refer to table 3-2.

Table 3-2 Command Register (CR)

CODE	COMMAND
0000H	Illegal
0001H	GO TO BC MODE
0002H	GO TO MRT MODE
0003H	GO TO MON MODE
0004H	BC COLD Start
0005H	BC WARM Start
0006H	BC STOP
0007H	MRT COLD Start
0008H	MRT WARM Start
0009H	MRT STOP
000AH	PAUSE
000BH	UNPAUSE
000CH	LOAD CLOCK
000DH	SELFTTEST
000EH	RUN MONITOR
000FH	STOP MONITOR
0010H	Synchronise CLOCK

NOTE: PAUSE = Stop the Local clock. UNPAUSE = Restart the Local Clock.

3.4.7.2 Status Register (SR) (06H)

The status register will contain a word reflecting the status of the board as shown in table 3-3.

Table 3-3 Status Register

CODE	STATUS
0001H	BC IDLE
0002H	MRT IDLE
0003H	MON IDLE
0004H	BC RUNNING
0005H	BC INSERTION RUNNING
8004H	BC PAUSED (Background)
8005H	BC PAUSED (Insertion)
9004H	EXECUTING SOFTWARE PAUSE (SWPSE)
A004H	EXECUTING HARDWARE PAUSE (HWPSE)
0006H	MRT RUNNING
8006H	MRT PAUSED
0007H	MON RUNNING
0008H	MON RUNNING
XXX8H	EXECUTING SELFTEST
	FINISHED SELFTEST

The status register will contain the following information after completion of self-test.

D15	D14	D13	D12	D11	D10	D09	D08	D07	D06	D05	D04	D03	D02	D01	D00
1	0	0	LS	0	0	LC	M5	M4	M3	M2	M1	1	0	0	0

LS = 1 1553B Interface Test Failed
 LC = 1 Local Clock Test Failed
 M5 = 1 Memory Test 5 Failed
 M4 = 1 Memory Test 4 Failed
 M3 = 1 Memory Test 3 Failed
 M2 = 1 Memory Test 2 Failed
 M1 = 1 Memory Test 1 Failed

Several bits can be set simultaneously. If no self-test errors are detected the code in the status register will be 8008H.

3.4.7.3 Background Running Pointer (BRP) (08H)

In the BC mode, the Background Running Pointer (BRP) directs the firmware to the location of a background program, which can be used to organise the message sequencing. Before sending a BC start the user must initialise the BRP. BRP is updated by the on-board processor after executing a BC STOP command. Table 3-4 is a list of the possible instructions with descriptions and examples.

Table 3-4. Instruction Set Background Program

DELAY	:	0000H	XXXXH	XXXX= Delay LSB of 10µs	
NOPI	:	0001H		PC = PC+1	
NOP2	:	0002H		PC = PC+2	
NOP3	:	0003H		PC = PC+3	
BSR	:	0004H	XXXXH	XXXX = 16 bit signed branch to subroutine	
BRA	:	0006H	XXXXH	XXXX = 16 bit signed branch	
JMP	:	0007H	XXXXH	XXXX = 16 bit absolute address for jump	
RTS	:	0008H		Return from subroutine	
RTI	:	0009H		Return from insertion routine	
ENI	:	000AH		Enable program insertion	
DSI	:	000BH		Disable program insertion	
LOOP	:	000CH	XXXXH	Load loop counter, with value XXXX	
DBNE	:	000DH	XXXXH	LOOP = LOOP-1, If <> 0 branch signed offset	XXXX
INITF	:	000EH	XXXXH	Initialise frame duration to XXXX (LSB = 10uS)	
SWPSE	:	000FH		Wait for new on-board start of frame	
HALT	:	0010H		End of BC program	
SITL	:	0011H	XXXXH	Set low priority IRQ. Push XXXX on LO queue	
SITH	:	0012H	XXXXH	Set high priority IRQ. Push XXXX on HI queue	
HWPSE	:	0013H		wait for external Trig LO-HI for new frame	
SMB	:	0014H	XXXXH	Send message. XXXXH = absolute address of MDB	
TRGOUT	:	0015H	XXXXH	Trig out to the XXXXH level	

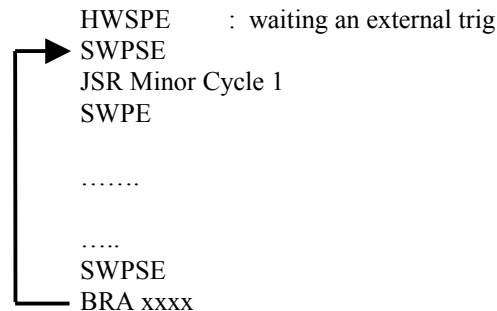
- **Instructions:**

- **NOP (1, 2, 3);**
 - By a NOPx, the user can replace one, two or three instruction words.
- **BSR,BRA,DNBE;**
 - The offset is defined in bytes count (always even offset).
- **BSR;**
 - 15 levels of subroutines available.
- **TRGOUT xxxx**
 - Instructions to put TRIGOUT at 0 if xxxx = 0000H; or 1 if xxxx = 0001H.
 - On power-on, the output is on 0 level (per default).
- **LOOP xxxx;**
 - Load loop counter with value XXXX.
 - Only one level of loop.

- **INITF xxxx;**
 - XXXX = Minor frame duration (minor cycle time).
 - 10 μ s for the LSB; the value for 20ms is 7D0H.
 - It must be initialised at the beginning of the background program.
 - This instruction resets the minor frame counter register.
- **SWPSE (Software Pause);**
 - To be put at the end of each minor cycle instruction list with the minor frame duration utility to have automatic minor frame restart.

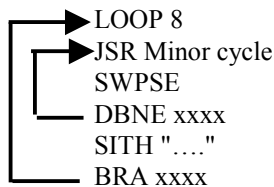
Examples:

INITF xxxx



with Minor cycle X : SMB xxxx
 SMB xxxx

 RTS



- Insertion Commands can be executed during SWPSE state.
- **HALT;**
 - On completion of this instruction the board will return to the BC idle state
 - To re-start the board: BC (Cold - Warm) Start (command register).
- **SITH xxxx / SITL xxxx;**
 - The on-board processor puts the value (code) xxxx in the cycling FIFO's.
 H => High Priority, L => Low Priority.
- **HWPSE (Hardware Pause);**
 - Restart by the external Trig In (external CK)
 - All the registers are not initialised:....
 - Used to synchronise messages of minor frames on external Trig In.

Example: See SWPSE above.

3.4.7.4 Insertion Running Pointer (IRP) (0AH)

The Insertion Running Pointer (IRP) has the same set of instructions as Instruction Set Background Program. To initiate an insertion the user must first load the IRP with the address of the insertion program. Then bit CI can be cleared in the control register.

- The background program can be interrupted by an insertion command.
- The insertion program cannot be interrupted by any other insertion command. In this case the second insertion request will be delayed until the end of the first one.
- Insertion program starting just before a minor cycle start will delay this one.
- IRP is updated by the on-board processor after executing a BC stop command.

3.4.7.5 Reserved (0CH)

3.4.7.6 LPIQAP (0EH) **Low priority interrupt queue start address.**

3.4.7.7 Reserved (10H)

3.4.7.8 HPIQAP (12H) **High priority interrupt queue start address.**

3.4.7.9 Reserved (14H)

3.4.7.10 MIQAP (16H) **Message interrupt queue start address.**

3.4.7.11 Reserved (18H)

3.4.7.12 SRQAP (1AH) **Status report queue start address.**

3.4.7.13 Reserved (1CH)

3.4.7.14 RTSTAD (1EH) **RT simulation table start address.**
Contains the address of the RT Simulation Tables,
which defines the RT status when they are simulated.

3.4.7.15 Reserved (20H)

3.4.7.16 Reserved (22H)

3.4.7.17 Toggle Buffer Address Offset (24H)

- MSB = 1 : global toggle enable
 = 0 : no toggle
 offset : 15 bits

MSB	offset	
15	14	0

- For a data buffer, if the toggle feature is selected (bit 15 = 1), the address of the toggle buffer is: (Buffer Address High + Toggle Buffer Offset), Buffer Address Low. [15 bits]
- For further details refer to paragraph 4-3.3.3.

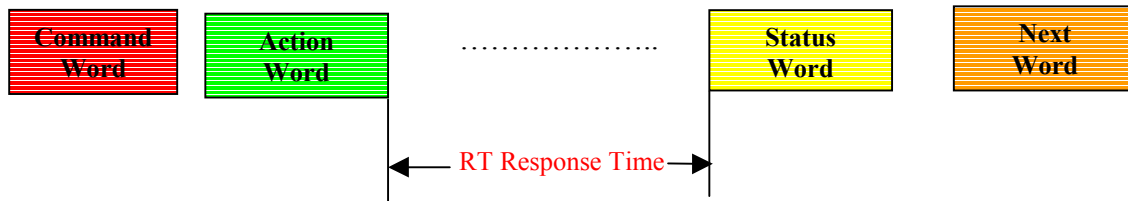
3.4.7.18 Set of Messages Start Address (26H)

- This is the pointer of a 256-word table reserved to the on-board processor to compute the registers Set of Messages.
- For further details refer to paragraph 4-5.2.

3.4.7.19 Global RT Response Time Register (28H)

- This is the response time for all the simulated RT's. Different RT response time can be defined in the error description words.
- LSB = 1µs
- For some modes, this global RT response time register is not programmable (fixed at 4µs);
 - 1553B Mode without data
- If the value is less than 4, the on-board processor selects 4µS.

3.4.7.20 RT No Response Time-Out Register (2AH)



- The programmable RT no response time-out defines the maximum RT response time allowed by the board to an RT before detecting "NO RESPONSE".
- LSB = 1µs.

3.4.7.21 IRQ Selection Register (34H)

D15	D14	D13	D12	D11	D10	D09	D08	D07	D06	D05	D04	D03	D02	D01	D00
0	0	0	0	Cycling			Message			HI Queue			LO Queue		
				0	0	C	0	0	M	0	0	H	0	0	L

C = If set, a physical INTA interrupt will be generated when a 'Broadcast Synchronise With Data' mode code occurs.

M = If set, a physical INTA interrupt will be generated when a push to the Message Queue occurs

H = If set, a physical INTA interrupt will be generated when a push to the High Priority Queue occurs

L = If set, a physical INTA interrupt will be generated when a push to the Low Priority Queue occurs

3.4.7.22 Test and Set Register and SRQADP (3CH)

These two words are used to automatically manage FIFO's of vector words for each simulated RT. For simulated RTs the "Service Request bit" in the status word can be set and reset by the user. The vector word can be initialised by the user.

After a "Transmit Vector Word" mode command message, the on-board processor automatically resets the service request bit and the vector word.

On the other hand a service request queue is defined to automatically queue words representing (successive) requests for the simulated RTs. This service request queue is 3 words long starting at the initial address in the service request queue address pointer (SRQADP).

For a request, two words are set in the queue as follows:

1. RT number: 00000000RRRRRIX
R = RT address, X = Priority, BIT 1 = 1.

2. Vector word

Two different priorities are available:

X = 0 High priority

X = 1 Low priority

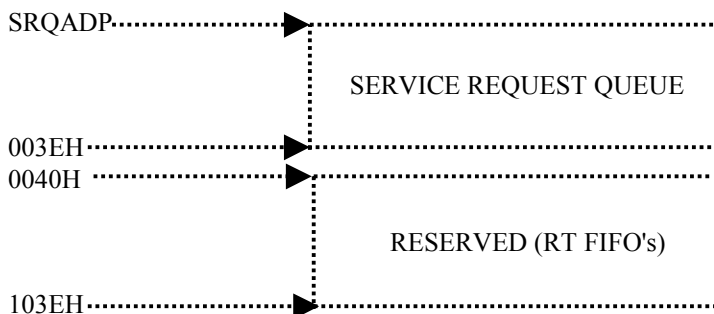
Reading this FIFO, the on-board processor manages each RT two 32-word vector words FIFO's (one per priority). These vector words are then used by the RT simulation. If an RT FIFO is not empty, the on-board processor reads it, then writes the value in RT vector words (RT Simulation Table) and sets the service request bit in the status word.

If a "Transmit Vector Word" mode command message occurs, the on-board processor reads the RT FIFO's

- If empty the on-board processor resets the service request bit and the vector word.
- Otherwise the on-board processor reads the FIFO's and writes this next value in the RT vector word.

High priority vector words are processed before low priority vector words.

The following 4Kbyte block after the service request queue is reserved for the individual RT requesting FIFO's managed by the on-board processor:



To enter a request in the User Requesting Queue, the user must manage the current writing pointer (SRQADP in Base Registers) and control the words pointed at are clear, if these words are non-zero, the queue is full. Reaching the end of the queue the user must restart at the beginning of the queue.

If several user CPUs can enter requests at the same time, it is necessary to share control of SRQADP, using for example the TASR flag with a test and set instruction. To enter a request a CPU must carry out the following procedure:

Test and set the TASR word (MSB bit) and:

- a)
 - If free, the SRQADP is read to define the entry address in the queue.
 - If the entry location defined by the SRQADP are clear the two words may be entered in the queue. If these words are non-zero, the queue is full.
 - Increments the SRQADP (if the end is reached, reinitialise it to the beginning).
 - Resets the TASR.
- b)
 - If not free, waits until free.

3.4.7.23 Reserved (46H)

3.4.7.24 PRI/SEC 1553B RT TX Inhibit HI-LO (48H – 4EH)

HI :		RT 30	RT17	RT16
LO :	RT15	RT14			RT1	RT0

- =0: enable the transmitter
=1: disable the transmitter
- A bit set defines the specific RT transmitter as inhibited.
- Initialisation by the user (before cold start).
- Disable/enable by corresponding mode command messages.
- The user can modify the inhibit bits in real time.
- The receive function of the simulated RT is never disabled.

3.5 REMOTE TERMINAL SIMULATION TABLE

For each RT 16 words are used to define and store information concerning RTs. The pointer to this table (RTSTAD) must be a multiple of 20H. Refer to table 3-2.

RTSTAD	RT0	+00H	Simulation Type word
		+02H	RT Status Word
		+04H	1553B Last Command Word
		+06H	1553B Look-up Table Address (MRT Only)
		+08H	Reserved
		+0AH	1553B Mode Commands Look-up table Address (MRT Only)
		+0CH	Vector Word
		+0EH	1553B BIT Word
		+10H	Reserved
		+12H	Reserved
		+14H	Reserved
		+16H	Global RT Error Descriptor Word (MRT Only)
		+18H	Not Used
		+1AH	Not Used
		+1CH	Not Used
		+1EH	Not Used
RT1	+20H		
	+40H		
RT30	+3C0H		
	+3E0H	Only 3 words used Set all others to 0	
RT31 (Broadcast)		Broadcast 1553B Look-up Table	
		Reserved	
		Broadcast 1553B Mode Commands Look-up Table Address	

Figure 3-2 Remote Terminal Simulation Table

3.5.1 Simulation Type Word

Bits 14 to 0 are for MRT only	BIT 15 :	1 = RT simulated
	BIT 14 :	1 = Reserved
	BIT 13 :	1 = Inhibit transmitter 1553B on primary bus
	BIT 12 :	1 = Inhibit transmitter 1553B on secondary bus
	BIT 7 :	1 = Errors enabled on primary bus (status word and data)
	BIT 6 :	1 = Errors enabled on secondary bus (Status word and data)
	BIT 0 :	1 = Enable global error injection
	other bits:	0
	Bits 7 and 6	Enable global RT errors (defined in the RT simulation table) as message-per-message errors (defined in the look-up-tables).

3.5.2 Status Word

Broadcast and message error bits are dynamically updated. Service request bit automatically set by the request files and cleared by the TX vector word mode code command. Busy bit can be set by user to disable data transmission.

3.5.3 1553B Last Command Word

Automatically updated (including broadcast), so the TX last command mode code is correctly simulated.

3.5.4 1553B Bit Word

For user purposes.

NOTES:

1. 1553B Mode Commands - TX shutdown and override TX shutdown are fully simulated. The status of the transmitters are available to the user in the Base Registers.
2. The user can modify the RTs simulation state in real-time.

4 BUS CONTROLLER MODE OF OPERATION

4.1 INTRODUCTION

In the Bus Controller mode the Western Avionics IIB-1553-ISA board runs a list of instruction pointed to by the Background Running Pointer defining the bus frame. Each bus message is defined by a Message Descriptor Block (MDB) and the associated data is accessed through a Look-Up Table (LUT) and Data Descriptor Blocks (DDB) the same way as in the Multi-Remote mode. Remote Terminals can simultaneously be simulated. All non-simulated data buffers can be monitored. An internal minor frame duration counter allows autonomous control of cycling frames. Acrylic messages can be inserted on the host request. Insertion instruction lists define sequences of messages to be inserted. Refer to figure 4-1 the Bus Controller Organisation Diagram.

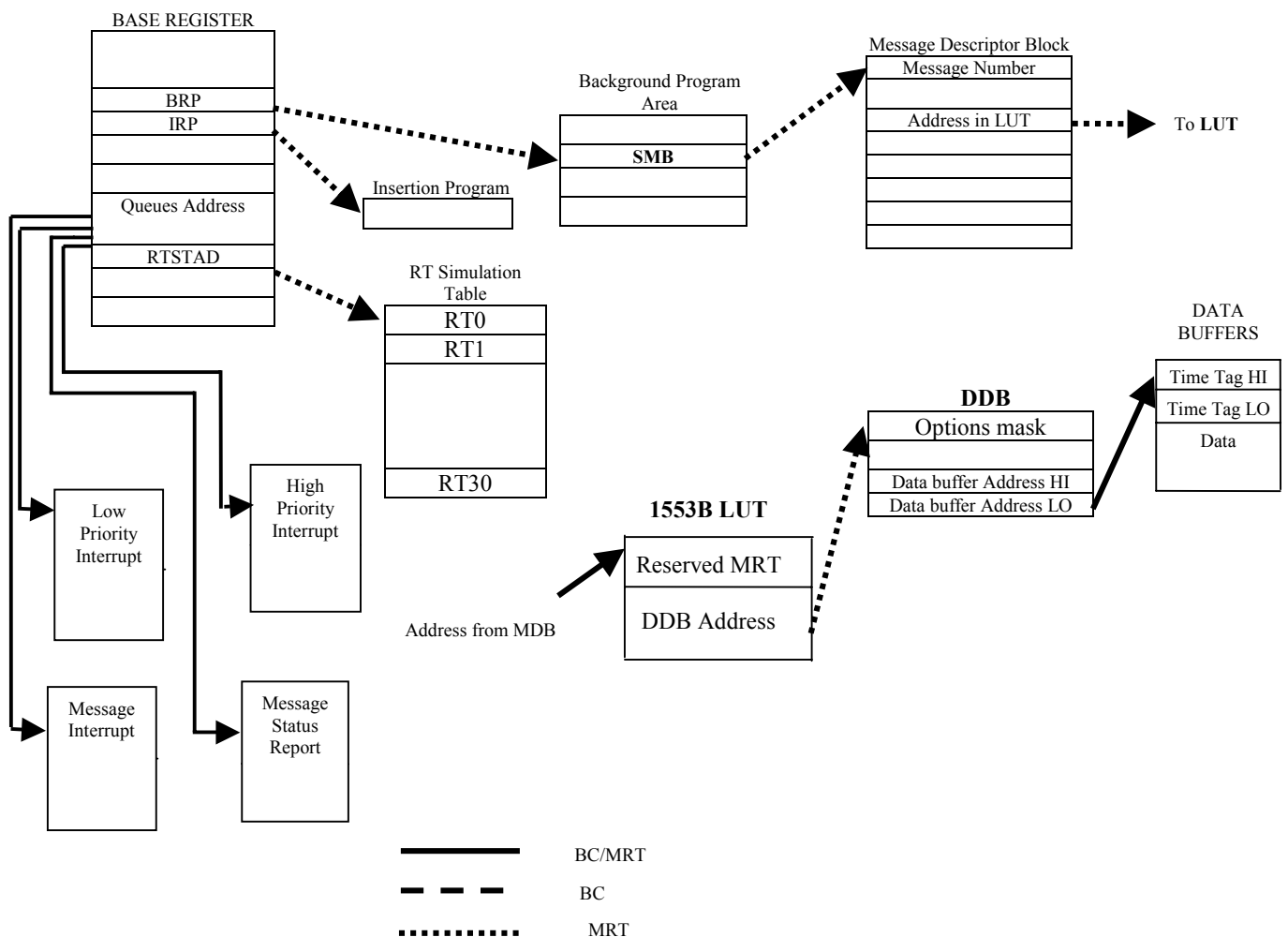


Figure 4-1 Bus Controller Organisation Diagram

4.2 MESSAGE DESCRIPTOR BLOCK (MDB)

Each bus message is defined by a message descriptor block as shown in table 4-1.

Table 4-1 Message Descriptor Block

MBD ADDRESS	MESSAGE NUMBER
+02H	1553B Event Mask
+04H	Message Type Word
+06H	1553B Message Error Phase Definition
+08H	1553B Message Error Description Word
+0AH	Address in Look-up Table
+0CH	Command Word 1
+0EH	Command Word 2
+10H	Reserved
+12H	Reserved
+14H	Retry Subroutine Absolute Address
+16H	Reserved
+18H	Inter-message Gap Time
+1AH	Reserved
+1CH	Status Word 1 (received)
+1EH	Status Word 2 for RT-RT (received)

4.2.1 Message Number (00H)

The number of the message is used in Message Status Report to identify messages.

4.2.2 1553B Event Mask (02H)

A logical AND is carried out with the 1553B event mask and the detected bus events. If the result is $\neq 0$ a message status report will occur and a retry if selected.

BIT 15	:	Wrong/Both bus error
BIT 14	:	No response error
BIT 13	:	RT address error
BIT 12	:	Transmission error
BIT 11	:	Wrong sync error
Bit 10 to 00	:	Status bits of RX status word (not including address bits)

NOTE: Transmission error includes: Manchester error, Long or Short word error, Parity error, Word Count error and Late-Response error.

4.2.3 Message Type Word (04H)

BIT 15	:	1	=	1553B TX on PRI bus		
BIT 14	:	1	=	1553B TX on SEC bus		
BIT 13	:	0				
BIT 12	:	0				
BIT 11 to 8:						
		11	10	09	08	
		0	0	0	0	1553B MODE WITHOUT DATA
		0	0	0	1	1553B MODE WITH DATA
		0	0	1	0	1553B RT-RT
		0	0	1	1	1553B BC-RT/RT-BC
		0	1	0	0	Reserved
		0	1	0	1	Reserved
		0	1	1	0	Reserved
		0	1	1	1	Reserved
		0	0	0	0	1553B MODE WITHOUT DATA (BROADCAST)
		1	0	0	1	1553B MODE WITH DATA (BROADCAST)
		1	0	1	0	1553B RT-RT (BROADCAST)
		1	0	1	1	1553B BC-RT (BROADCAST)
		1	1	0	0	Reserved (BROADCAST)
		1	1	0	1	RECEIVE CLOCK (BROADCAST)
		1	1	1	0	Reserved (BROADCAST)
		1	1	1	1	Reserved (BROADCAST)
BIT 07	:	1	=	Extended Subaddress		
BIT 06	:	1	=	Retry on EVENT		
BIT 05	:	1	=	Interrupt on EVENT enabled		
BIT 04	:	1	=	Interrupt on EVENT HI priority queue, 0 = LO priority		
BIT 03	:	0				
BIT 02	:	0				
BIT 01	:	0				
BIT 00	:	0				

NOTES:

1. If RETRY is enabled and IRQ on EVENT is disabled the RETRY will still take place.
2. Broadcast Receive Clock is a special message used for transmitting the 32-bit clock as data. This message type only requires an MBD to define the command word and the inter-message gap. No queue, interrupt or buffer control is carried out. The transmitted message will be the command word defined by the MDB followed by two data words, Clock Value HI and Clock Value LO (clock value at the end message on the bus).
3. The transmission of a Broadcast Synchronise with Data mode code using the 1553B mode with data broadcast message type will cause cycling interrupt to be generated (if enabled) and the associated data word defined in the data buffer will be stored in the cycling interrupt base register (40H).

4.2.4 1553B Message Error Phase Definition (06H)

The following word defines the location of errors that can be injected into the 1553B message.

D15	D14	D13	D12	D11	D10	D09	D08	D07	D06	D05	D04	D03	D02	D01	D00
0	0	0	0	0	0	0	0	0	0	0	0	0	X	X	X

- XXX = 000 => Error Injection Disabled
- XXX = 001 => Inject Error in 1st BC TX (Initial BC message)
- XXX = 011 => Inject Error in 1st RT SIM (1st RT response)
- XXX = 100 => Inject Error on 2nd RT SIM (2nd RT-RT response)

4.2.5 1553B Message Error Description Word (08H)

The following word defines the errors that can be injected into the 1553B message.

D15	D14	D13	D12	D11	D10	D09	D08	D07	D06	D05	D04	D03	D02	D01	D00
T	T	T	X	X	X	X	X	X	X	X	X	X	X	X	X

TTT = 000 => Modulation Error

XXXXXXXXXXXXXXXX = WWWWWYYYYYYYY

WWWWWW = Word Number For Modulation Error

Y	Y	Y	Y	Y	Y	Y	Y	=	ERROR TYPE
0	0	0	0	0	0	0	0	=	Parity error
0	S5	S4	S3	S2	S1	S0		=	Synchro Pattern Error
1	0	B4	B3	B2	B1	B0		=	Manchester Bit Error
1	1	L4	L3	L2	L1	L0		=	Word Length Error

TTT = 001 => Wrong Bus Error

XXXXXXXXXXXXXXXX = 000000000000

TTT = 010 => Both Bus Error

XXXXXXXXXXXXXXXX = 000000000000

TTT = 011 => Word Count Error

XXXXXXXXXXXXXXXX = 000000PCCCCC

- P = Word Count Error Polarity
- 0 = Word Count Error +VE
- 1 = Word Count Error -VE
- CCCCC = Word Count Error Value (Allows +/- 64 Words)

TTT = 100 => Response Time Error

XXXXXXXXXXXXXXXX = 0000000RRRRR

RRRR = Unique Response Time for simulated RT in uS.

TTT = 101 => Illegal Command (Not applicable for BC Mode)

XXXXXXXXXXXXXXXX = 000000000000

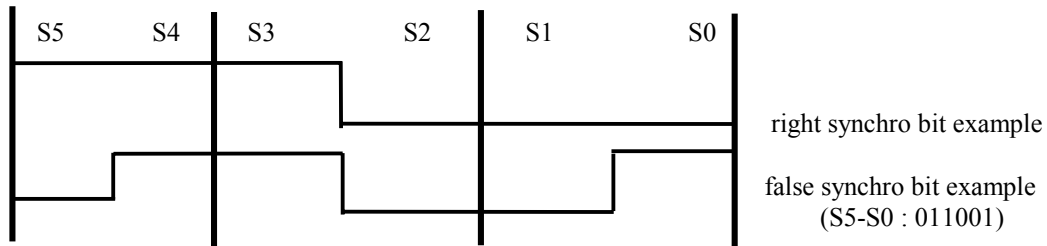
TTT = 110 => Extended Subaddress (Not applicable for BC Mode)

XXXXXXXXXXXXXXXX = 000000000000

TTT = 111 => Resync. System Clock (Not applicable for BC Mode)

XXXXXXXXXXXXXXXX = 000000000000

- NOTES:**
1. Word Number : For the first word of the message (command or status) WWWWWW = 000000.
 2. Synchro Pattern Error : Defines a specific synchro bit, each Si defines the level for 500ns duration (at least 1 bit of S5 - S0 must be set).



3. Manchester Bit Error : B4-B0 defines the bit position in the word for the error
4. Word Length Error : L4-L0 defines the number of bits in the word.

NOTE: This count has an offset of 1 such that a value of 01111 will result on a valid word with a data bit count of 16.

- Wrong bus error : RT response on the wrong bus
- Both busses error : RT response on both busses
- Response time error : RRRRR replaces the global RT response time (LSB = 1 uS)
- Illegal command : Reserved for MRT only

4.2.6 Address in Look-Up Table (0AH)

This will contain the address in the look-up table for the DDB pointer. (See figure 4-1).

4.2.7 Command Word 1 (0CH)

First Command Word.

4.2.8 Command Word 2 (0EH)

Second Command Word (RT-RT 1553B).

4.2.9 Retry Subroutine Absolute Address (14H)

On completion of a message, if an Event defined by the Mask has occurred and the Retry Event is enabled, the Subroutine defined by this absolute address will be called.

- NOTES**
1. The retry subroutine must be terminated by the RTS instruction to return execution back to the main background or insertion program.
 2. This feature can be used for immediate insertion of Acyclic messages or retry of the same message on the alternate bus.

4.2.10 Inter-message Gap Time (18H)

- Gap between the end of this message and the 1553B line and the beginning of the next one (next MDB).
- LSB = 0.1 uS.

4.2.11 Status Word 1 (ICH)

First RX Status Word in the message. If the BC detects no response error, this value will be updated with FFFFH.

4.2.12 Status Word 2 (IEH)

Second RX Status Word in the message (RT-RT). If the BC detects a no response error from the second RT, this value will be updated with FFFFH.

4.3 DATA BUFFERS SIMULATION AND MONITORING

The Western Avionics IIB-1553-ISA board processes all the data buffers running on the 1553B lines. Data buffers to be issued by the BC or the simulated RTs are transmitted by the Western Avionics IIB-1553-ISA board, all others can be monitored. A multiple data buffering structure is implemented.

These paths use a look-up-table and data descriptor block.

Refer to figure 4-2 Data Buffers Simulation and Monitoring.

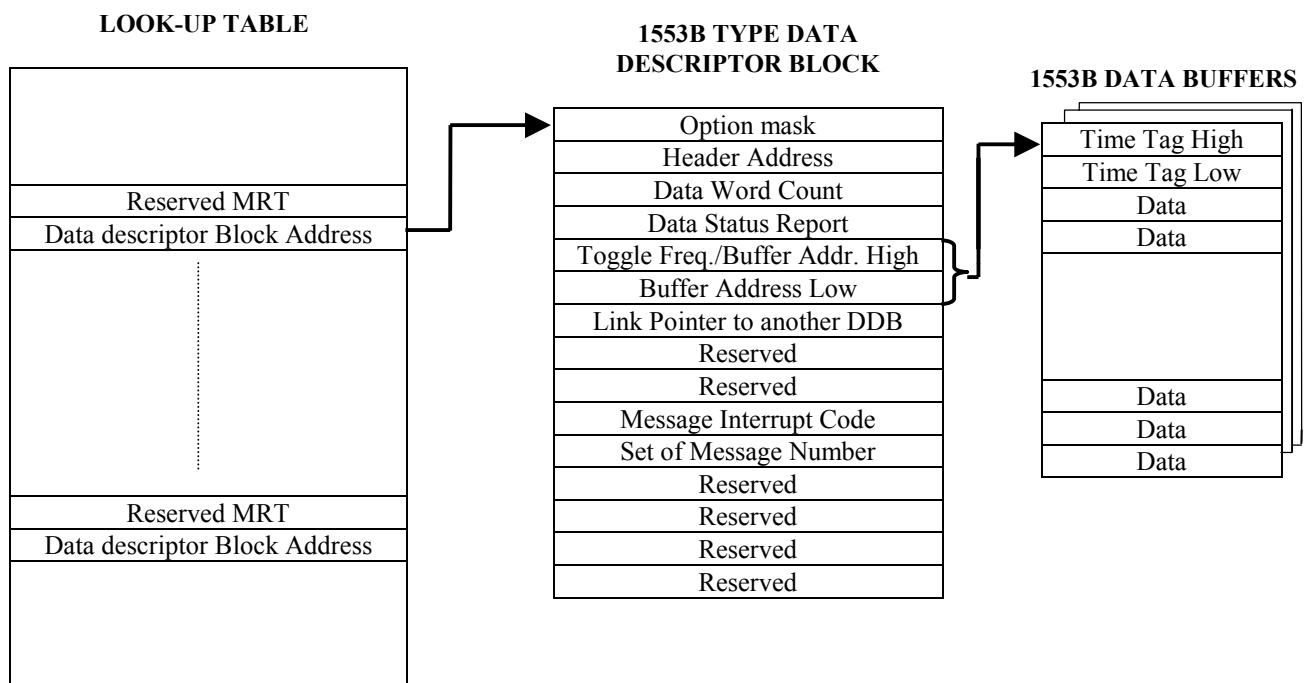


Figure 4-2 Data Buffers Simulation and Monitoring

4.3.1 Look-Up-Table

The sixth word of a message descriptor block points to a double word in the look-up-table, that contains the address of a 1553B data descriptor block. An identical architecture is defined in MRT mode, but using 1553B subaddresses to point into the look-up-table.

Look-up Table Address : Error Injection Word (MRT only).
 02H : DDB Address/Extended-Subaddress look-up table address.

4.3.2 Data Descriptor Block

A data descriptor block is associated with each data message, this 16-word set defines the data buffering and associated queue control information. Interrupt selection is defined in the option mask word; interrupt on correct or erroneous message, or after a set of different messages, priority of interrupt (three different available, one interrupt only per message).

The data word count contains the data word count expected by the user. The Western Avionics IIB-1553-ISA processor compares this word count with real data word count transmitted on the bus and writes the difference if any in the data status report word. This last word also contains the status flag of the transmission; message received correct or with error, message running. The most significant byte of data buffer address can be used to enable toggled buffer control; toggle on beginning of each minor frame or on multiple cycles of this minor frame. This allows user software synchronised on the frame cycle to always access the correct buffer. The set of message interrupt features provides the possibility to send an interrupt after the last message of the set of messages. It is to be used when the frame sequence is not purely repetitive. Up to 128 different sets of messages from 2 to 16 messages each can be defined. Refer to table 4-2.

Error injection on 1553B data words is defined in the message descriptor blocks.

Table 4-2 Data Descriptor Block

DDB ADDRESS	OPTION MASK
+02H	Header Address
+04H	Data Word Count
+06H	Data Status Report
+08H	Toggle Frequency and Buffer Address HI
+0AH	Buffer Address LO
+0CH	Link Pointer to Address of another DDB
+0EH	Address of Modify Word
+10H	Value to Write
+12H	Message Interrupt Code
+14H	Set of Message Number
+16H	Message Indicator in the Set of Messages
+18H	Reserved
+1AH	Reserved
+1CH	Reserved
+1EH	Reserved

4.3.2.1 Option Mask (00H)

BIT 15	1 = Interrupt on Correct Message
BIT 14	1 = Interrupt on Error Message
BIT 13	1 = HI/LO Priority Queue (0 = LO, 1 = HI)
BIT 12	1 = Interrupt on Set of Messages
BIT 11	1 = Message Interrupt (If Message Correct)
BIT 10	1 = Link only on Correct Message
BIT 09	1 = Link to New DDB Enabled
BIT 08	1 = Modify Word Enabled
BIT 07	0
BIT 06	0
BIT 05	0
BIT 04 to 00	Header Word Count

4.3.2.2 Data Status Report (06H)

BIT 15 to 14	00 = Good Message 01 = Message Running 10 = Error Message
BIT 13 to 00	Signed Wordcount Error. 0 = No Wordcount Error

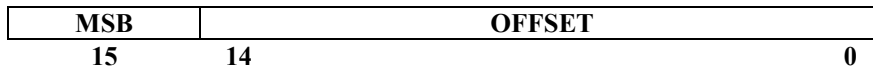
NOTE: The wordcount error is calculated as follows:

$$\begin{aligned} \text{TX Wordcount} &= \text{Command Wordcount} - (\text{DDB Count} + \text{Header Count}) \\ \text{RX Wordcount} &= \text{Wordcount Received} - (\text{DDB Count} + \text{Header Count}) \end{aligned}$$

4.3.2.3 Toggle Frequency and Buffer Address HI (08H)

The word +24H in Base Registers defines if the data buffer toggle feature is enabled and also the toggle offset:

- MSB = 1 : global toggle enabled
= 0 : no toggle
- offset : 15 bits

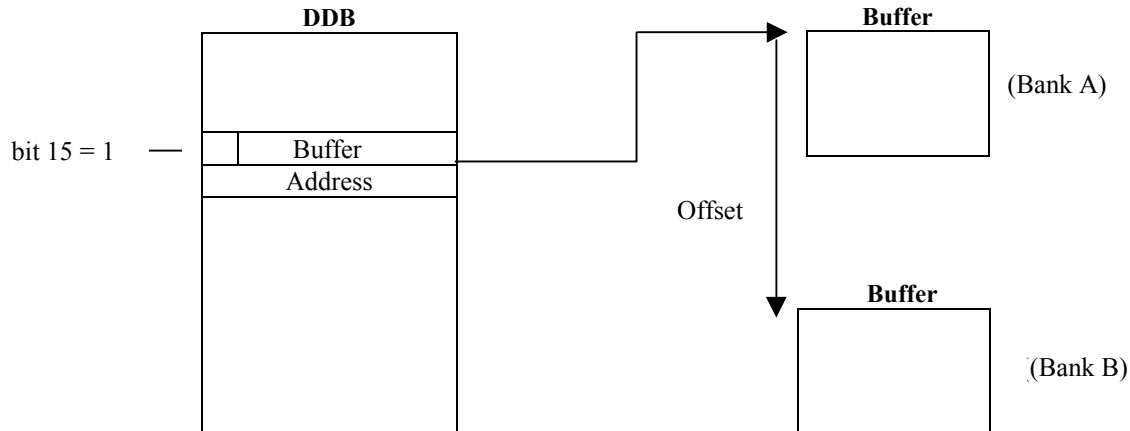


The 5th word in a DDB enables the toggle feature for the corresponding data buffer and the toggle frequency:

BIT 15	1 = Enable toggle (local)
BIT 14 to 11	0
BIT 10 to 08	Frequency indicator => 000 = FHz, 001 = F/2Hz, 011 = F/4Hz, 111 = F/8Hz
BIT 07 to 00	Buffer Address HI

When global toggle is enabled, for a data buffer if the toggle feature is selected (bit 15 = 1) the address of the toggle buffer is:

(Buffer Address High + Toggle Buffer Offset (15 bits)), Buffer Address Low.



The toggle is synchronised on the minor frame counter register, which is incremented on each minor cycle restart.

- The on-board processor stores the data buffer in bank A or B depending on the number of the running minor cycle and the frequency indicator of the message.

Minor Cycle (frequency F)	0	1	2	3	4	5	6	7	8	9	A	B	C	...
F Hz.	A	B	A	B	A	B	A	B	A	B	A	B	A	
F/2 Hz	A	A	B	B	A	A	B	B	B	A	B	B	A	
F/4 Hz	A	A	A	A	B	B	B	B	A	A	A	A	B	
F/8 Hz	A	A	A	A	A	A	A	A	B	B	B	B	B	

4.3.2.4 Link Pointer to New DDB (0CH)

If the message is good or bit 10 of the option mask is clear and bit 9 of the option mask is set the value in this location will replace the original DDB address in the look-up table. This feature defines a different DDB for the next occurrence of the same message.

4.3.2.5 Address of Modify Word/Value to Write (0EH-10H)

After the message is complete and bit 8 of the option mask is set the Value to Write is written in the address defined by the contents of 0EH. (Action is limited to the first 64Kbytes of the memory).

4.3.2.6 Extended Sub-Address

To enable the extended sub-address feature see the MDB type word. When enabled the value of the DDB address in the look-up-table is in fact a pointer for a further look-up-table called the extended look-up-table. The on-board processor uses the 1553B byte of the first data word received (multiplied by four) to calculate an offset in the extended look-up-table to find the true DDB address word. Therefore, the DDB and data buffer used is defined by the value of the first 1553B RX data word.

+ offset ---> : Reserved MRT
 +02H : DDB address

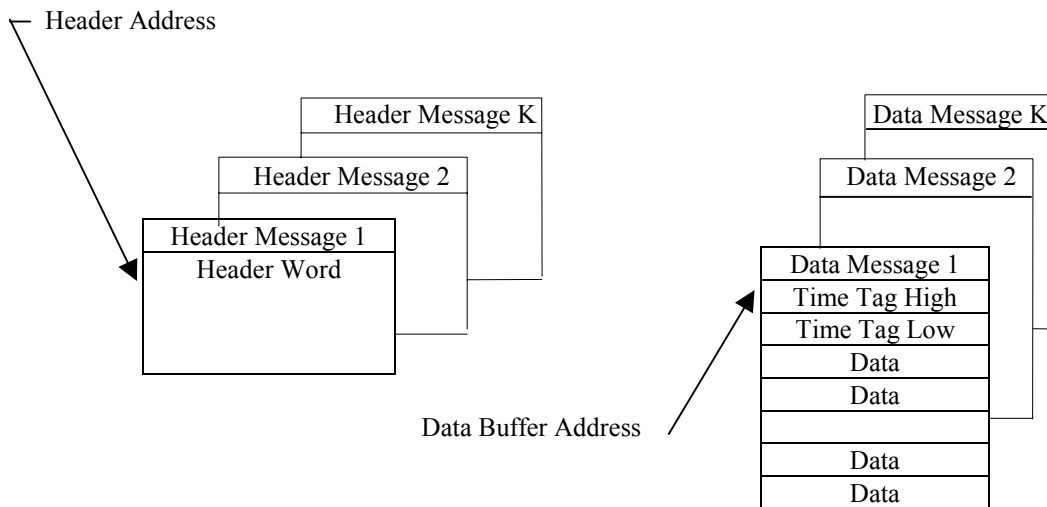
4.3.3 Data Buffers

Data buffers are pointed to by the buffer address word contained in the data descriptor blocks. The address of the toggled buffer is calculated by adding the global toggle offset to the data buffer address value in the DDB. The first two words of a data buffer are updated with the value of the local clock at the beginning of the message.

1553B data buffers can be stored as follows:

- The standard way - data words behind the time-tag words.
- A particular way allowing the user to store header words of the data message in a different buffer from the following data words.

The header option and the number of header words are defined in the option mask.



DB ADDRESS	1553B BUFFER
+00H	Time Tag HI
+02H	Time Tag LO
+04H	Data
+06H	Data
+08H	Data
+0AH	Data
+0CH	"
"	"
"	with or without Header Word
	"
	"
	"

Table 4-3 Data Buffers

4.4 MODE COMMANDS

In Bus Controller mode the Western Avionics IIB-1553-ISA board can transmit all mode command messages. For each mode command message, data descriptor blocks pointed through the look-up table allow the definition of interrupt requests or associated data word address storage. If such a command is directed to an on-board simulated RT, the corresponding actions are made on the RT simulation table:

- Transmit - RT status word, last command word, bit word.
- Inhibit or override inhibit

Examples:

a) Synchronise with Data Word:

- The data is obtained from the data buffer pointed by the DDB.

b) Transmit Last Command:

- A DDB is analysed; the data word transmitted is stored in the data buffer. If the RT is simulated, the last command word from the RT simulation table is transmitted.

c) Transmit Bit Word:

- Similar to transmit last command.

d) Transmit Vector Word:

- Similar the transmit last command, and then if the RT is simulated, the service request bit in the RT status word is reset and the vector word is reset or updated with the next vector word in FIFO's, if any.

4.5 INTERRUPT REQUESTS

Three types of interrupt requests (IRQ) can be generated by the Western Avionics IIB-1553-ISA board:

- IRQ-L and IRQ-H (low priority and high priority) are synchronisation interrupts, defined as follows:
 - By instructions in the BC instruction list.
 - In message descriptor block to report on bus events detection.
 - In data descriptor block to signal the transmission of a message.
- IRQ-M is a data message interrupt and occurs only when the transmission of a data buffer is correct and the requesting bit is set in the data descriptor block. It can also be programmed to occur with the last message of a set of 2 to 16 messages (set of messages option).

When setting an IRQ the Western Avionics IIB-1553-ISA board pushes a vector code into queues, each code defines the event origin of the IRQ.

Each queue must start at an address multiple of 200H. The user must manage the reading pointer, and erase with a 0000H value, the codes after reading.

4.5.1 Interrupt Coding

1. LO and HI priority interrupts (two words):

Messages without error :	0800H, DDB Address
Messages with error :	0C00H, DDB Address BC
Event without RETRY :	1000H, Status Queue Address
BC Event with RETRY :	4000H, Status Queue Address
Send Interrupt (SITL/SITH) :	2000H, SITL/SITH Vector

2. Message Interrupts (one word):

Message Interrupt Code from DDB (Only if Message is Good)

4.5.2 Set Message Interrupts

When in a DDB, bit 12 of the option mask word is set:

- The 10th word gives a set of message numbers (00H to FFH).
- The 12th word gives a message indicator.
- For each set, the on-board processor manages a set word register;
 - It makes an "OR" with the message indicator in the set word register.
 - Then if the set word register is equal to FFFFH, the on-board processor sends a message interrupt code defined in the 9th word of the DDB, and resets the set word register.
 - It is possible to define sets from 2 to 16 messages.
 - The user initialises at 0 the set of messages table.

The 256 word set of messages table is pointed to by the set of Messages Start Address (26H in Base registers).

4.5.3 Message Status Report Queue

At the end of a message, if an event is detected and matches with the 1553B Event Masks of the MDB, a Message Status Report is pushed in to the Message Status Report queue (2 words per report).

Message Number (MSB = 0), EVENTS with EVENTS:

BIT 15	:	Wrong/Both Buses Error
BIT 14	:	NO RESPONSE Error
BIT 13	:	RT ADDRESS Error
BIT 12	:	TX Error- Mn, LG, SH, Py, WC, Late-Response
BIT 11	:	SYNC Type Error
Bit 09	:	0 = 1st Status, 1 = 2nd Status
BIT 10, BITS 08 to 00	:	RX Status Bits

5 MULTIPLE REMOTE TERMINAL MODE OF OPERATION

5.1 INTRODUCTION

In Multiple Remote Terminal mode the Western Avionics IIB-1553-ISA board can simulate up to 31 RTs. After initialisation by the host, the board is ready to listen to the bus activity and to respond to command words for the simulated RTs. The description of the mode of operation uses tables similar to those defining the bus controller mode, providing the same associated features (multiple data buffering, signalisation etc.). Refer to figure 5-1, the Multiple Remote Terminal Organisation Diagram.

The specifics of the MRT mode of operation mainly concern the following

- The logical path to point into the look-up-tables.
- The errors injection capabilities.

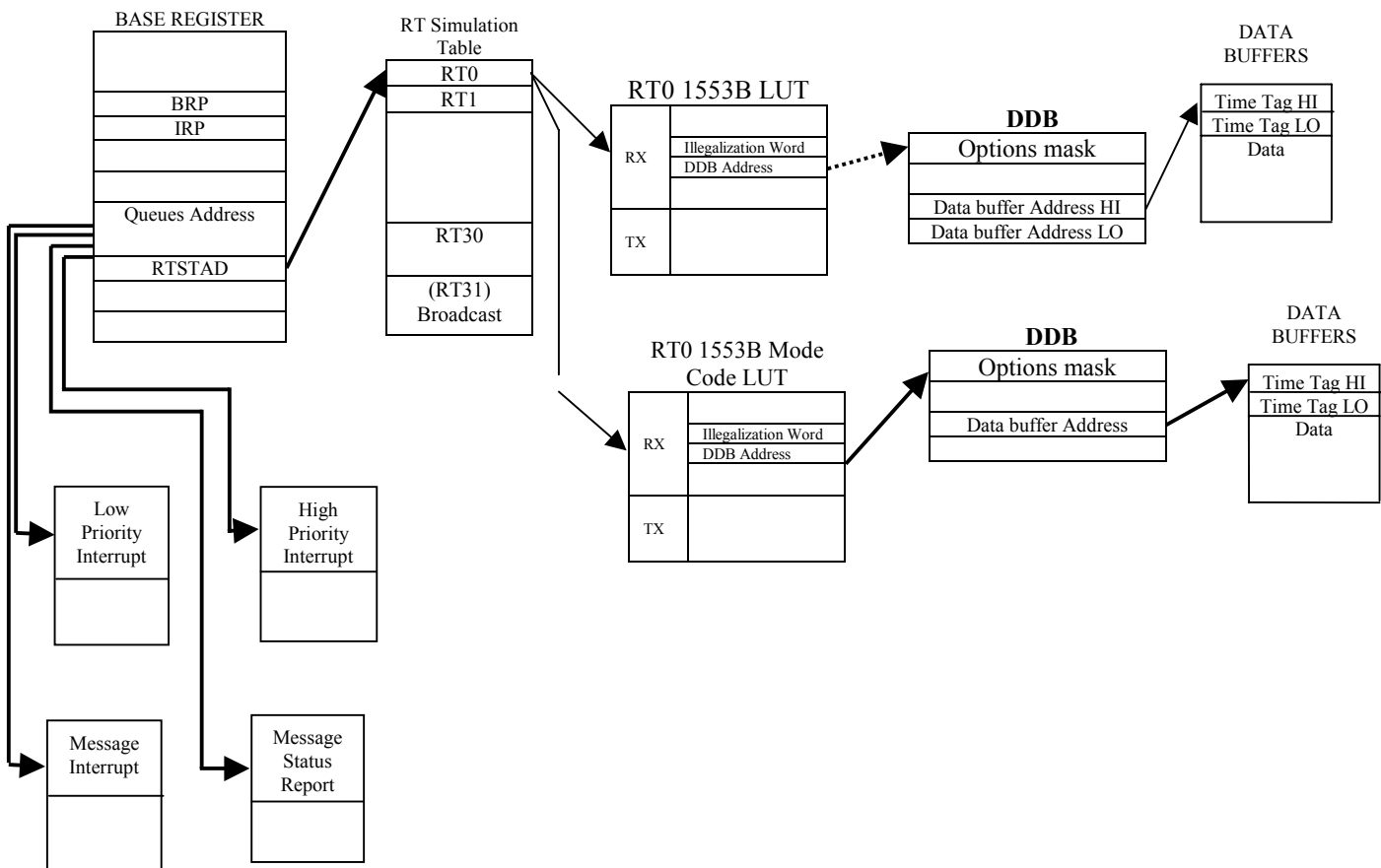


Figure 5-1 Multiple Remote Terminal Organisation Diagram

5.2 LOOK-UP-TABLES

For each RT the Western Avionics IIB-1553-ISA board manages three different look-up-tables, the address of these tables are obtained from the RT simulation tables. These tables are as follows:

- 1553B Look-up Table giving a descriptor for each 1553B sub-address.
- 1553B Mode Command Look-up-Table giving a descriptor for each 1553B mode code.

NOTE: The T/R bit of the Command word or Action word is used as an offset to point to the RX or TX block of the look-up tables.

Each descriptor includes:

- A Message Error Description (or Illegalization) word.
- A Data Descriptor Block Address (or Extended sub-address look-up table address) as for BC mode.

5.3 MODE COMMANDS SPECIFICATIONS

All illegal mode codes defined in the 1553B standard are automatically illegalized. The error descriptor word allows illegalization of complementary mode codes.

Associated data words which are not obtained from the RT Simulation Tables can be obtained from (or stored in) memory using Data Descriptor Blocks. For each mode code DDB can be used to define IRQ's.

5.4 DATA WORDS STORAGE

To avoid data buffers overwriting in memory when receiving a data message, the IIB-1553-ISA board does not store more data words than the number defined by:

Data Word Count + 1 (if no header option), or Data Word Count + Header Word Count + 1 (if header option).

Data Word Count is defined in the DDB. The extra word for 1553B messages will be the last received word of a message in excess of the DDB data word count.

5.5 1553B ERROR INJECTION DEFINITION

Error injection on status word and 1553B data words transmitted can be defined message by message using the message error descriptor word in the look-up-table, or globally for all messages transmitted by an RT using global RT error injection word in each RT simulation table.

5.5.1 Global RT Error Description Word (RT Simulation Table)

The following word defines the errors that can be injected into the message.

D15	D14	D13	D12	D11	D10	D09	D08	D07	D06	D05	D04	D03	D02	D01	D00
T	T	T	X	X	X	X	X	X	X	X	X	X	X	X	X

TTT = 000 => Modulation Error

XXXXXXXXXXXXXXXX = WWWWWYYYYYYYY

WWWWWW = Word Number For Modulation Error

Y	Y	Y	Y	Y	Y	Y	Y	=	ERROR TYPE
0	0	0	0	0	0	0	0	=	Parity error
0	S5	S4	S3	S2	S1	S0		=	Synchro Pattern Error
1	0	B4	B3	B2	B1	B0		=	Manchester Bit Error
1	1	L4	L3	L2	L1	L0		=	Word Length Error

TTT = 001 => Wrong Bus Error

XXXXXXXXXXXXXXXX = 000000000000

TTT = 010 => Both Bus Error

XXXXXXXXXXXXXXXX = 000000000000

TTT = 011 => Word Count Error

XXXXXXXXXXXXXXXX = 00000PCCCCC

P	=	Word Count Error Polarity
2	=	Word Count Error +VE
3	=	Word Count Error -VE
CCCCC	=	Word Count Error Value (Allows +/- 64 Words)

TTT = 100 => Response Time Error

XXXXXXXXXXXXXXXX = 0000000RRRRR

RRRR = Unique Response Time for simulated RT in uS.
See NOTE (4) in paragraph 5-5.2

NOTE: Global error injection is enabled/disabled by the LSB bit of the simulation type word.

5.5.2 Message Error Injection Word (Look-up-Table)

The following word defines the errors that can be injected into the message.

D15	D14	D13	D12	D11	D10	D09	D08	D07	D06	D05	D04	D03	D02	D01	D00
T	T	T	X	X	X	X	X	X	X	X	X	0	X	X	X

TTT = 000 => Modulation Error

XXXXXXXXXXXXXXXX = WWWWWYYYYYYY

WWWWWW = Word Number For Modulation Error

- 0 : status word
- 1 : 1st data word

Y	Y	Y	Y	Y	Y	Y		=	ERROR TYPE
0	0	0	0	0	0	0		=	Parity error
0	S5	S4	S3	S2	S1	S0		=	Synchro Pattern Error
1	0	B4	B3	B2	B1	B0		=	Manchester Bit Error
1	1	L4	L3	L2	L1	L0		=	Word Length Error

TTT = 001 => Wrong Bus Error

XXXXXXXXXXXXXXXX = 000000000000

TTT = 010 => Both Bus Error

XXXXXXXXXXXXXXXX = 000000000000

TTT = 011 => Word Count Error

XXXXXXXXXXXXXXXX = 00000PCCCCC

- P = Word Count Error Polarity
- 0 = Word Count Error +VE
- 1 = Word Count Error -VE
- CCCCC = Word Count Error Value (Allows +/- 64 Words)

TTT = 100 => Response Time Error

XXXXXXXXXXXXXXXX = 0000000RRRRR

- RRRR = Unique Response Time for simulated RT in uS.
- See NOTE (4) in paragraph 5-5.2

TTT = 101 => Illegal Command

XXXXXXXXXXXXXXXX = 000000000000

TTT = 110 => Extended Subaddress

XXXXXXXXXXXXXXXX = 000000000000

TTT = 111 => Resync. System Clock

XXXXXXXXXXXXXXXX = 000000000000

NOTE: For NO ERROR set TTT = 000 and WWWWW = 111111

5.6 INTERRUPTS CODING

5.6.1 Low and High Priority Interrupts (two word code)

On data messages without error	:	0800H, DDB address
On data messages with error	:	0C00H, DDB address
On mode commands without error	:	0900H, DDB address
On mode commands with error	:	0D00H, DDB address

5.6.2 Message Interrupts (or set of messages interrupt)

One word code equals message interrupt code in data descriptor block. The code is pushed in queue only if the message is correct. Sets of Messages: Same feature as for BC mode.

5.6.3 Status Report Queue (two words per report)

Code pushed into queue only if error on message and Interrupt on erroneous message not set in the DDB.

1st Word:	Pointer to the double word in look-up-table (look-up-table address + index)
2nd Word:	Events
BIT 15 :	Wrong/Both Buses Error
IT 14 :	No Response Error
IT 13 :	RT Address Error
IT 12 :	TX Error- Mn, Lg, Sh, Py, WC, Late-Response
BIT 11 :	SYNC Type Error
BIT 10 to 0:	Not Used

5.7 SPECIFIC FUNCTIONS

5.7.1 Data Message Reception

Each data message not transmitted by the Western Avionics IIB-1553-ISA board may be stored. The path to access the data buffer is given by the RT look-up-table for messages BC <=> RT. Except for RT->RT messages, even if the RTs are simulated or not, the path to point to the data buffer is always given by the transmitting RT look-up-table, but the receiving RT look-up-table must point to a false DDB. Received status words from RTs not simulated on-board are stored in the associated disabled RT SIM table. If an external RT fails to respond a value of FFFFH will be stored in the SIM table.

5.7.2 Reception of Mode Commands Data Words

For each mode command with data word message, if the data word is not transmitted by the board, it must be stored (RT simulated or not). The path for storing the data word is given by the RT mode command look-up-table.

5.7.3 Mode Command "Synchronise with Data Word"

When receiving a broadcast mode command "Synchronise with Data word", the on-board processor:

- Stores the data word value in the "Cycling Interrupt Update Register" in base registers and set the cycling IRQ.
- Accesses to a DDB to store the data word in a buffer and time-tag the data buffer.
- Uses the value of the data word (which is for example the minor cycle number: 0 to 7) to manage frequency toggling of the data buffers.

5.7.4 Frequency Toggle

The frequency toggle option works in the same manner as the BC mode except that the minor cycle number is given by the data word associated to the mode command synchronise with data word. This mode command is due to circulate on the bus at the beginning of each minor cycle and toggles (bank A or B) are managed when this message occurs.

Minor Cycle (frequency F)	0	1	2	3	4	5	6	7	8	9	A	B	C	...
F Hz.	A	B	A	B	A	B	A	B	A	B	A	B	A	
F/2 Hz	A	A	B	B	A	A	B	B	B	A	B	B	A	
F/4 Hz	A	A	A	A	B	B	B	B	A	A	A	A	B	
F/8 Hz	A	A	A	A	A	A	A	A	B	B	B	B	B	

6 CHRONOLOGICAL BUS MONITOR MODE OF OPERATION

6.1 INTRODUCTION

When acting in BC or MRT mode, a comprehensive window monitor facility is provided. However, the Western Avionics IIB-1553-ISA can also act as a chronological monitor for bus event detection and message recording. In this mode the Western Avionics IIB-1553-ISA can be set to trigger on specific events, and sequentially record precise time stamped messages on a stack. The size and position of this stack can be defined by the user.

NOTE: When the Western Avionics IIB-1553-ISA is in this mode the BC/MRT facility is not available.

All address pointers for the Bus Monitor are 16 bit words defining a PAGE address. Each page is 32 bytes.

Example: If a message pointer contains the value 2301H this indicates an absolute address of BASE+ (2301H x 20H) = BASE+46020H.

6.2 BASE REGISTERS

Table 6-1 Base Registers

BASE	REGISTER
+00H	Control Register (Write) / Clock HI Word (Read)
+02H	Clock LO Word (Read) LSB of clock = 0.5 uS.
+04H	Command Register (CR)
+06H	Status Register (SR)
+08H	Reserved
to	Reserved
+2AH	Reserved
+2CH	Reserved
+2EH	Reserved
+30H	Reserved
+32H	Reserved
+34H	IRQ Selection Register
+36H	Reserved
+38H	Load Clock HI Register
+3AH	Load Clock LO Register
+3CH	Reserved
+3EH	Reserved
+40H	Reserved
+42H	Current Address Register (CAR)
+44H	Trigger Occurrence Register (TOR)
+46H	Trigger Set-up Pointer (TSP)

6.2.1 Control Register (Write) (00H)

D15	D14	D13	D12	D11	D10	D09	D08	D07	D06	D05	D04	D03	D02	D01	D00
0	0	0	0	0	0	0	HR	0	IEN	IRQ	0	0	0	C1	C0

C0	Clear	=>	Command Request
C1	Clear	=>	Insertion Request
HR	Clear	=>	Hardware RESET

If IEN is set and IRQ is set then interrupt line will be cleared.

If IEN is set and IRQ is clear then the interrupt line will be asserted (for test purposes only).

If IEN is clear the value of IRQ is unaffected.

Note: This register must be accessed to clear the interrupt during an interrupt service routine.

- Examples:*
1. 0102H generates a command request.
 2. 0163H clears the interrupt line.

6.2.2 Command Register (CR)

Prior to clearing the Command Request bit (C0) in the Control Register, the user must first test that the CR is clear. When the CR is clear the user can insert the next command to be executed. Refer to table 6-2.

Table 6-2 Command Registers

CODE	COMMAND
0000H	Illegal
0001H	GO TO BCT MODE
0002H	GO TO MRT MODE
0003H	GO TO MON MODE
0004H	Reserved
0005H	Reserved
0006H	Reserved
0007H	Reserved
0008H	Reserved
0009H	Reserved
000AH	Reserved
000BH	Reserved
000CH	LOAD CLOCK
000DH	SELFTEST
000EH	RUN MONITOR
000FH	STOP MONITOR
0010H	SYNCHRONISE CLOCK

After the command is loaded, bit C0 in the Command register can be cleared. When the CR clears the board is ready for a new command.

6.2.3 Status Register (SR)

This register contains a code reflecting the status of the board as shown in table 6-3.

Table 6-3 Status Registers

CODE	COMMAND
0001H	Reserved
0002H	Reserved
0003H	MONITOR IDLE
0004H	Reserved
0005H	Reserved
0006H	Reserved
0007H	MONITOR RUNNING
0008H	Reserved

The Status Register will contain the following information after completion of selftest.

D15	D14	D13	D12	D11	D10	D09	D08	D07	D06	D05	D04	D03	D02	D01	D00
1	0	0	LS	0	0	LC	M5	M4	M3	M2	M1	1	0	0	0

- LS = 1 1553B Interface Test Failed
- FR = 1 Frame Counter Test Failed
- LC = 1 Local Clock Test Failed
- M5 = 1 Memory Test 5 Failed
- M4 = 1 Memory Test 4 Failed
- M3 = 1 Memory Test 3 Failed
- M2 = 1 Memory Test 2 Failed
- M1 = 1 Memory Test 1 Failed

If no selftest errors are detected the Status Register will be 8008H.

6.2.4 IRQ Selection Register (34H)

D15	D14	D13	D12	D11	D10	D09	D08	D07	D06	D05	D04	D03	D02	D01	D00
0	0	0	0	Trigger			Post Trigger			Full Stack			Half Stack		
				0	0	T	0	0	P	0	0	F	0	0	H

- T = If set, a physical INTA interrupt will be generated when the trigger condition is met.
- P = If set, a physical INTA interrupt will be generated when all the post trigger data is captured.
- F = If set, a physical INTA interrupt will be generated when the stack is full.
- H = If set, a physical INTA interrupt will be generated when the stack is half full.

6.2.5 Load Clock HI/LO Registers (+38H1 / +3AH)

If a LOAD CLOCK command is executed, these **two** registers define a 32-bit value to be loaded into the counter. If a SYNCHRONIZE CLOCK command is executed, the two registers define a 32 bit signed number to be added to the current clock value.

6.2.6 Current Address Register (CAR) (+42H)

This register contains the PAGE address of the current message being stored.

6.2.7 Trigger Occurrence Register (TOR) (+44H)

This register contains the PAGE address of the message that met the pre-programmed trigger condition.

6.2.8 Trigger Set-up Pointer (TSP) (+46H)

This register contains the absolute address of the trigger set-up data.

NOTE: This value is only 16 bits. All trigger set-up data **must** reside in the first 64Kbytes of the board.

6.2.8.1 Trigger Set-up Data

TSP Address

+00H Post Trigger Count Register (PTCR)

This register will contain the number of messages to be stored after the trigger condition is met. This value will be in the range 0000H to 8000H.

0000H = Stop immediately after trigger message.

8000H = Capture Forever.

+02H Selective Capture Count Register (SCCR)

This register will contain the number of messages to be stored when the monitor is in the Selective Capture Mode. This value will be in the range 0000H - 8000H.

2000H = 1 message.

8000H = Selective Capture Forever.

+04H Start Page Register (SPR)

This register will contain the desired PAGE address for the start of the monitor stack area.

+06H Finish Page Register (FPR)

This register will contain the desired PAGE address for the end of the monitor stack area. This value **must** be greater than the Start Page Register value.

+08H Window Word Count Register

This register will contain the word number in the specified message on which the window trigger test is to be carried out. If this value is zero, the test will be carried out on any word within the specified message.

+0AH Reserved

+0CH Hardware Trigger Register

D15	D14	D13	D12	D11	D10	D09	D08	D07	D06	D05	D04	D03	D02	D01	D00
0	0	0	0	0	0	0	0	0	0	0	0	C	T	N	P

- P = 1 The Monitor will wait for LO-HI transition on the TRIG-IN input before storing messages and searching for the software trigger condition.
- N = 1 The Monitor will wait for a HI-LO transition on the TRIG-IN input before storing messages and searching for the software trigger condition.
- T = 1 The Monitor will generate a >1.5µS pulse on the TRIG-OUT when the software trigger condition has been detected.
- C = 1 The Monitor will generate a >1.5µS pulse on the TRIG-OUT when the post trigger message count has been reached.

6.3 DETAILED TRIGGER DESCRIPTION

The Bus Monitor has four triggers that can be set up to trigger on a wide variety of complex conditions. Each trigger can be allocated one of four different data and error conditions. If a trigger passes this condition it then moves on to the trigger defined by the Pass register. If a trigger fails this condition it then moves on to the trigger defined by the Fail Register. Each trigger is allocated a trigger type value from one to six and these are as follows:

- Value 1 Single Trigger Mode** - The Single Trigger Mode will search for the trigger data defined by the Trigger Data Pointer Register. If this condition is TRUE for the incoming 1553B word the Single Trigger will branch to the trigger defined in the Pass Register. If it fails, it will branch to the trigger defined by the Fail Trigger Register.
- Value 2 Window Trigger** - The Window Trigger Mode will search for the trigger data defined by the Trigger Data Pointer Register within the first 1553B message it encounters. If this condition is TRUE for a word within the incoming message, the Window Trigger will branch to the trigger defined in the Pass Register. If the value of the Window Word Count Register is non zero the Window Trigger will use this value to specify the word number within the message for the Trigger test to be carried out. If this value is zero all words within the message will be tested. The Window Trigger would normally be preceded by a Single Trigger. The Single Trigger would define the specific 1553B command word, then pass to the Window Trigger to define a specific bit pattern of a particular word within this message. If the Window Trigger Fail Register points back to the Single Trigger requirements, then the monitor will start again with the next 1553B message.
- Value 3 Reserved.**
- Value 4 Selective 1 Trigger Mode** - The Selective 1 Trigger searches for a particular word as with the Single Trigger type. However, if the last word of a message is encountered before this trigger condition is met, the message is not saved on the stack. If this trigger condition is met, it will branch to the trigger defined by the Pass Register.
- Value 5 Selective 2 Trigger Mode**- This trigger type is the same as the Window Trigger with the following exceptions:
- If the specific word within the message is not found, the message will not be stored on the stack and the next trigger is defined by the contents of the Fail Pointer Register.
 - When the trigger condition is found, the message is stored on the stack. If the number of selective messages defined by the Selective Capture Count Register have not been stored, the next trigger is defined by the contents of the Fail Pointer Register.

When the programmed number of messages have been stored, the next trigger is defined by the Pass register. Therefore, the two selective capture triggers allow the storage of a specific message or messages.

Value 6 Post Trigger Count Mode - This mode is used as a terminator to the trigger sequence. This mode simply stores the number of messages defined by the Post Trigger Count Register on the stack and then stops activity. If the PTC is set to H8000, storage will continue until the board is commanded to halt.

- NOTES**
- This trigger mode **always** resides in the Trigger Stop Register and **never** in any other register.
 - This is trigger 5 and must always be pointed at as the last part of the trigger sequence.

Trigger 1:

Trigger 1 type Register @ **Base Address +0EH**

This register will define the trigger type allocated to trigger 1. This value will be in the range 1 to 6.

Trigger 1 Data Pointer @ **Base Address +10H**

This register will define the trigger data allocated to trigger 1. This value will be the range 1 to 4.

Trigger 1 Pass Pointer @ **Base Address +12H**

This register will define the new trigger to be activated if this trigger condition passes.
This value will be the range 1 to 5.

Trigger 1 Fail Pointer @ **Base Address +14H**

This register will define the new trigger to be activated if this trigger condition fails.
This value will be the range 1 to 5.

Trigger 2:

Trigger 2 Type Register @ **Base Address +16H**

This register will define the trigger type allocated to trigger 2.
This value will be the range 1 to 6.

Trigger 2 Data Pointer @ **Base Address +1 8H**

This register will define the trigger data allocated to trigger 2.
This value will be the range 1 to 4.

Trigger 2 Pass Pointer @ **Base Address +1AH**

This register will define the new trigger to be activated if this trigger condition passes.
This value will be the range 1 to 5.

Trigger 2 Fail Pointer @ **Base Address +1CH**

This register will define the new trigger to be activated if this trigger condition fails.
This value will be the range 1 to 5.

Trigger 3:

Trigger 3 Type Register

@ Base Address +1EH

This register will define the trigger type allocated to trigger 3.
This value will be the range 1 to 6.

Trigger 3 Data Pointer

@ Base Address +20H

This register will define the trigger data allocated to trigger 3.
This value will be the range 1 to 4.

Trigger 3 Pass Pointer

@ Base Address +22H

This register will define the new trigger to be activated if this trigger condition passes.
This value will be the range 1 to 5.

Trigger 3 Fail Pointer

@ Base Address +24H

This register will define the new trigger to be activated if this trigger condition fails.
This value will be the range 1 to 5.

Trigger 4:

Trigger 4 Type Register

@ Base Address +26H

This register will define the trigger type allocated to trigger 4.
This value will be the range 1 to 6

Trigger 4 Data Pointer

@ Base Address +28H

This register will define the trigger data allocated to trigger 4.
This value will be the range 1 to 4.

Trigger 4 Pass Pointer

@ Base Address +2AH

This register will define the new trigger to be activated if this trigger condition passes.
This value will be the range 1 to 5.

Trigger 4 Fail Pointer

@ Base Address +2CH

This register will define the new trigger to be activated if this trigger condition fails.
This value will be the range 1 to 5.

Trigger Stop Register

@ Base Address +2EH

This register will always be programmed to the value 6.
This register is the STOP trigger sequence register.

Trigger Data 1:

Trigger Data 1 Bit Mask Register

@ Base Address +30H

This register will define the bits to be ignored in the trigger bit pattern for trigger data 1. Any bit set in this register will be masked from the trigger test condition.

Trigger Data 1 Bit Pattern Register

@ Base Address +32H

This register will define the bit pattern required for trigger data 1.

Trigger Data 1 Bus ID/Word Type Mask

@ Base Address +34H

This register will define the Bus ID and Word Type bits to be ignored in the Bus ID/Word Type Register.

D15	D14	D13	D12	D11	D10	D09	D08	D07	D06	D05	D04	D03	D02	D01	D00
0	0	0	0	0	0	0	W	W	0	B	B	0	0	0	0

Both W bits = 1 Ignore Word Type in trigger condition.

Both B bits = 1 Ignore Bus ID in trigger condition.

Trigger Data 1 Bus ID/Word Type Register

@ Base Address +36H

This register will define the Bus ID and Word Type for the trigger condition.

D15	D14	D13	D12	D11	D10	D09	D08	D07	D06	D05	D04	D03	D02	D01	D00
0	0	0	0	0	0	0	W	W	0	B	B	0	0	0	0

WMsb	WLsb		BMsb	BLsb	
0	0	Trigger on Command	0	0	Illegal
0	1	Trigger on Status	0	1	Trigger on Primary
1	0	Trigger on Data	1	0	Trigger on Secondary
1	1	Trigger on RT-RT Transfer	1	1	Trigger on Both Buses

Trigger Data 1 Error Word Mask Register

@ Base Address +38H

This register will define if the Error Word Register is to be included in the trigger condition.

D15	D14	D13	D12	D11	D10	D09	D08	D07	D06	D05	D04	D03	D02	D01	D00
0	0	D	0	0	0	0	0	0	0	0	0	0	0	0	0

D = 1 Error condition disabled.

Trigger Data 1 Error Word Register

@ Base Address +3AH

This register will define the Errors required in the trigger condition.

If more than one error is set, the trigger condition will be a logical OR of the errors.

D15	D14	D13	D12	D11	D10	D09	D08	D07	D06	D05	D04	D03	D02	D01	D00
0	0	0	Py	Mn	Lg	Sh	0	0	WC	0	0	NR	TA	Sy	0

Sy	= 1	Sync Type Error	Sh	= 1	Short Word Error
TA	= 1	Terminal Address Error	Lg	= 1	Long Word Error
NR	= 1	No Response Error	Mn	= 1	Manchester Error
WC	= 1	Wordcount Error	Py	= 1	Parity Error

Trigger Data 2:

Trigger Data 2 Bit Mask Register

@ Base Address +3CH

This register will define the bits to be ignored in the trigger bit pattern for trigger data 2. Any bit set in this register will be masked from the trigger test condition.

Trigger Data 2 Bit Pattern Register

@ Base Address +3EH

This register will define the bit pattern required for trigger data 2.

Trigger Data 2 Bus ID/Word Type Mask

@ Base Address +40H

This register will define the Bus ID and Word Type bits to be ignored in the Bus ID/Word Type Register.

D15	D14	D13	D12	D11	D10	D09	D08	D07	D06	D05	D04	D03	D02	D01	D00
0	0	0	0	0	0	0	W	W	0	B	B	0	0	0	0

Both W bits = 1 Ignore Word Type in trigger condition.

Both B bits = 1 Ignore Bus ID in trigger condition.

Trigger Data 2 Bus ID/Word Type Register

@ Base Address +42H

This register will define the Bus ID and Word Type for the trigger condition.

D15	D14	D13	D12	D11	D10	D09	D08	D07	D06	D05	D04	D03	D02	D01	D00
0	0	0	0	0	0	0	W	W	0	B	B	0	0	0	0

WMsb	WLsb		BMSb	BLsb	
0	0	Trigger on Command	0	0	Illegal
0	1	Trigger on Status	0	1	Trigger on Primary
1	0	Trigger on Data	1	0	Trigger on Secondary
1	1	Trigger on RT-RT Transfer	1	1	Trigger on Both Buses

Trigger Data 2 Error Word Mask Register

@ Base Address +44H

This register will define if the Error Word Register is to be included in the trigger condition.

D15	D14	D13	D12	D11	D10	D09	D08	D07	D06	D05	D04	D03	D02	D01	D00
0	0	D	0	0	0	0	0	0	0	0	0	0	0	0	0

D = 1 Error condition disabled.

Trigger Data 2 Error Word Register

@ Base Address +46H

This register will define the Errors required in the trigger condition.

If more than one error is set, the trigger condition will be a logical OR of the errors.

D15	D14	D13	D12	D11	D10	D09	D08	D07	D06	D05	D04	D03	D02	D01	D00
0	0	0	Py	Mn	Lg	Sh	0	0	WC	0	0	NR	TA	Sy	0

Sy	= 1	Sync Type Error	Sh	= 1	Short Word Error
TA	= 1	Terminal Address Error	Lg	= 1	Long Word Error
NR	= 1	No Response Error	Mn	= 1	Manchester Error
WC	= 1	Wordcount Error	Py	= 1	Parity Error

Trigger Data 3:

Trigger Data 3 Bit Mask Register

@ Base Address +48H

This register will define the bits to be ignored in the trigger bit pattern for trigger data 3. Any bit set in this register will be masked from the trigger test condition.

Trigger Data 3 Bit Pattern Register

@ Base Address +4AH

This register will define the bit pattern required for trigger data 3.

Trigger Data 3 Bus ID/Word Type Mask

@ Base Address +4CH

This register will define the Bus ID and Word Type bits to be ignored in the Bus ID/Word Type Register.

D15	D14	D13	D12	D11	D10	D09	D08	D07	D06	D05	D04	D03	D02	D01	D00
0	0	0	0	0	0	0	W	W	0	B	B	0	0	0	0

Both W bits = 1 Ignore Word Type in trigger condition.

Both B bits = 1 Ignore Bus ID in trigger condition.

Trigger Data 3 Bus ID/Word Type Register

@ Base Address +4EH

This register will define the Bus ID and Word Type for the trigger condition.

D15	D14	D13	D12	D11	D10	D09	D08	D07	D06	D05	D04	D03	D02	D01	D00
0	0	0	0	0	0	0	W	W	0	B	B	0	0	0	0

WMsb	WLsb		BMsb	BLsb	
0	0	Trigger on Command	0	0	Illegal
0	1	Trigger on Status	0	1	Trigger on Primary
1	0	Trigger on Date	1	0	Trigger on Secondary
1	1	Trigger on RT-RT Transfer	1	1	Trigger on Both Buses

Trigger Data 3 Error Word Mask Register

@ Base Address +50H

This register will define if the Error Word Register is to be included in the trigger condition.

D15	D14	D13	D12	D11	D10	D09	D08	D07	D06	D05	D04	D03	D02	D01	D00
0	0	D	0	0	0	0	0	0	0	0	0	0	0	0	0

D = 1 Error condition disabled.

Trigger Data 3 Error Word Register

@ Base Address +52H

This register will define the Errors required in the trigger condition.

If more than one error is set, the trigger condition will be a logical OR of the errors.

D15	D14	D13	D12	D11	D10	D09	D08	D07	D06	D05	D04	D03	D02	D01	D00
0	0	0	Py	Mn	Lg	Sh	0	0	WC	0	0	NR	TA	Sy	0

Sy	= 1	Sync Type Error	Sh	= 1	Short Word Error
TA	= 1	Terminal Address Error	Lg	= 1	Long Word Error
NR	= 1	No Response Error	Mn	= 1	Manchester Error
WC	= 1	Wordcount Error	Py	= 1	Parity Error

Trigger Data 4:

Trigger Data 4 Bit Mask Register

@ Base Address +54H

This register will define the bits to be ignored in the trigger bit pattern for trigger data 4. Any bit set in this register will be masked from the trigger test condition.

Trigger Data 4 Bit Pattern Register

@ Base Address +56H

This register will define the bit pattern required for trigger data 4.

Trigger Data 4 Bus ID/Word Type Mask

@ Base Address +58H

This register will define the Bus ID and Word Type bits to be ignored in the Bus ID/Word Type Register.

D15	D14	D13	D12	D11	D10	D09	D08	D07	D06	D05	D04	D03	D02	D01	D00
0	0	0	0	0	0	0	W	W	0	B	B	0	0	0	0

Both W bits = 1 Ignore Word Type in trigger condition.

Both B bits = 1 Ignore Bus ID in trigger condition.

Trigger Data 4 Bus/Word Type Register

@ Base Address +5AH

This register will define the Bus ID and Word Type for the trigger condition.

D15	D14	D13	D12	D11	D10	D09	D08	D07	D06	D05	D04	D03	D02	D01	D00
0	0	0	0	0	0	0	W	W	0	B	B	0	0	0	0

Wmsb	WLsb		BMSb	BLsb	
0	0	Trigger on Command	0	0	Illegal
0	1	Trigger on Status	0	1	Trigger on Primary
1	0	Trigger on Data	1	0	Trigger on Secondary
1	1	Trigger on RT-RT Transfer	1	1	Trigger on Both Buses

Trigger Data 4 Error Word Mask Register

@ Base Address +5CH

This register will define if the Error Word Register is to be included in the trigger condition.

D15	D14	D13	D12	D11	D10	D09	D08	D07	D06	D05	D04	D03	D02	D01	D00
0	0	D	0	0	0	0	0	0	0	0	0	0	0	0	0

D = 1 Error condition disabled.

Trigger Data 4 Error Word Register

@ Base Address +5EH

This register will define the Errors required in the trigger condition.

If more than one error is set, the trigger condition will be a logical OR of the errors.

D15	D14	D13	D12	D11	D10	D09	D08	D07	D06	D05	D04	D03	D02	D01	D00
0	0	0	Py	Mn	Lg	Sh	0	0	WC	0	0	NR	TA	Sy	0

Sy	= 1	Sync Type Error	Sh	= 1	Short Word Error
TA	= 1	Terminal Address Error	Lg	= 1	Long Word Error
NR	= 1	No Response Error	Mn	= 1	Manchester Error
WC	= 1	Wordcount Error	Py	= 1	Parity Error

Trigger Start Register

@ Base Address +60H

This register defines the first trigger to be used in the trigger sequence. This will be in the range 1 to 5.

Examples

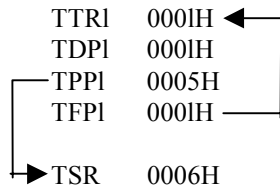
The first trigger used in the sequence is defined by the contents of the Trigger Start Register.

For these examples, assume that the Trigger Start Register points to Trigger 1 (value 1).

Key: TTR Trigger Type Register
TDP Trigger Data Pointer
TPP Trigger Pass Pointer
TFP Trigger Fail Pointer
TSR Trigger Stop Register

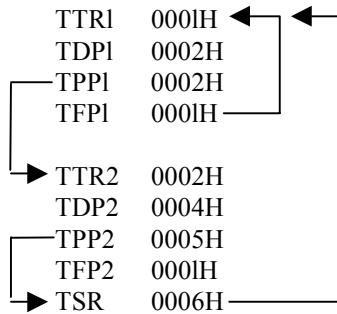
Example 1.

Find the word defined by Trigger Data 1, then save the number of messages defined by the PTC register.



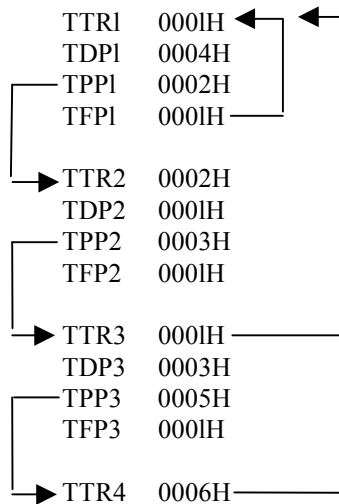
Example 2.

Find the message with word defined by the Trigger Data 2, followed by the Nth word within the message defined by the Trigger Data 4. Then, save the number of messages defined by the PTC register.



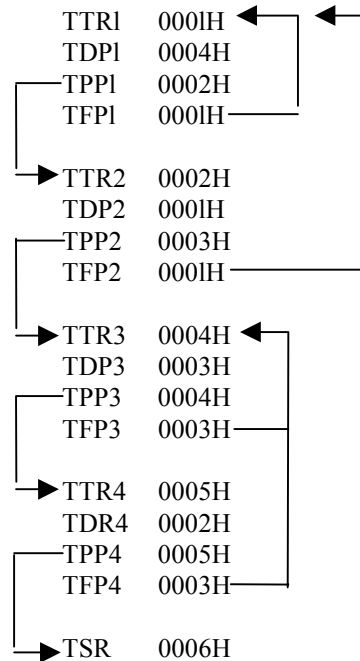
Example 3.

Find the message with word defined by Trigger Data 4 followed by the Nth word within the message defined by Trigger Data 1 by Trigger Data 3. i.e. Trigger on a specific 32 bit word.



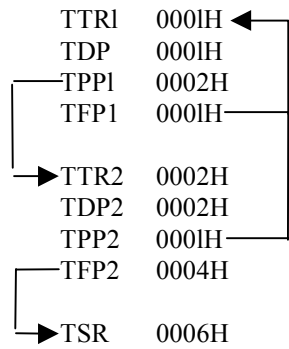
Example 4.

Find the message with word defined by Trigger Data 4 followed by the Nth word within the message defined by Trigger Data 1. Then, selectively capture all messages with word defined by Trigger Data 3, followed by word within the message defined by Trigger Data 2.



Example 5.

Find the message with word defined by Trigger Data followed by the Nth word within that message which **does not** meet the conditions of Trigger Data 2.



6.4 STACK DATA FORMAT

When the Bus Monitor is commanded to start, all messages will be stored before the trigger condition is met. Therefore, all pre-trigger data is captured. The first captured message will start at the address defined by the Start Page Register. All following messages will start on an even PAGE boundary. The STACK data will wraparound after the Finish Page Register value has been exceeded. The format of the messages are shown in table 6-4.

Table 6-4 Stack Data Format

WORD No.	NAME
1	Previous Address Pointer
2	Time Stamp HI
3	Time Stamp LO
4	Data
5	Errors
:	:
N-4	Data
N-3	Errors
N-2	RT Response Time 1 (LSB = 0.5 uS)
N-1	RT Response Time 2 (LSB = 0.5 uS)
N	Next Address Pointer

6.4.1 Previous Address Pointer

The first word of each message will define the page address of the previous message. The first message stored will set this pointer to 0000H.

6.4.2 Time Stamp HI/LO

These two locations are a 32 bit word defining the value of the 32 bit 0.5µS clock when the message started.

6.4.3 Data

These words describe the previous DATA word TYPE, BUS_ID and associated errors as follows:

D15	D14	D13	D12	D11	D10	D09	D08	D07	D06	D05	D04	D03	D02	D01	D00
ED	0	0	Py	Mn	Lg	Sh	T1	T0	WC	B1	B0	NR	TA	Sy	0

- ED = 1 Indicates last 1553B word in message.
- Py = 1 1553B data word had a Parity error.
- Mn = 1 1553B data word had a Manchester error.
- Lg = 1 1553B data word had too many bits (Long).
- Sh = 1 1553B data word had too few bits (Short).

T1, T0 describe the 1553B word type as follows:

T1	T0	WORD TYPE
0	0	Command Word
0	1	Status Word
1	0	Data Word
1	1	RT - RT Command Word

WC = 1 Indicates 1553B message had a word count error. Only set for last word.

B1, B0 Describe the bus the 1553B word was captured on as follows

B1	B0	BUS ID.
0	0	Illegal
0	1	Secondary
1	0	Primary
1	1	Both Buses

NR = 1 Indicates that an RT failed to respond to a command. (No Response).
Only set for last word.

TA = 1 Indicates that the RT status word did not match the address of the command word
(Terminal Address Error).

Sy = 1 Indicates that the 1553B word did not have the correct SYNC type.

6.4.4 Next Address Pointer

This word will define the page address of the next message. This value will be set to FFFFH for the last message after the post trigger count has expired and capturing has stopped.

6.4.5 RT Response Time 1/2

These two locations will define the RT response times, if any, of the Status words in the message. The second Response time is only applicable for 1553B RT-RT transfers.

6.4.6 Flow Diagram

